



**mule**  
SINCE 1923

**Lighting Catalog**

Dear Valued Customer,

The Mule Battery Company was founded in 1923 with two thoughts in mind – to provide quality products and to back them with exemplary customer service. For over 80 years we have grown and prospered by aggressively pursuing these objectives – meeting the needs of our industry and developing products that serve our customers well.

Our business began with the development of innovative, communication grade batteries. These were products with quality built in, and backed by full customer service that was decades ahead of its time. (You can still see from our logo that they, “kicked like a Mule.”)

Over the years, as our market rapidly expanded, we saw the need to provide complete lighting equipment and systems. In 1970 Mule responded to that need by acquiring a high-quality manufacturer of emergency lighting equipment, Litecor, and becoming Mule Lighting, Inc.

The synergistic combination of technical expertise and marketing know-how produced by that acquisition has led to many more innovative product developments by Mule Lighting, Inc. Today our catalog showcases a broad line of lighting products (including emergency and exit, compact fluorescent, commercial and industrial lighting) and a range of battery products. Most recently, Mule’s innovation has resulted in the design and development of an extensive array of solid state LED lighting products for a wide range of applications, from exit fixtures and emergency lighting units to decorative, accent and general purpose lighting.

Today Mule Lighting enjoys over eighty years of success and goodwill as a manufacturer that designs, markets and services a wide array of innovative lighting and related products. Best of all, we still follow those same tenets upon which we were founded - to furnish quality products and services that are focused on providing customer loyalty and satisfaction for many years after their initial purchase. We trust your experience with Mule will find this to be true.

Sincerely,



Robert P. Cross

CEO



LED FLEX & LED COLOR FLEX  
PAGES 8 & 9



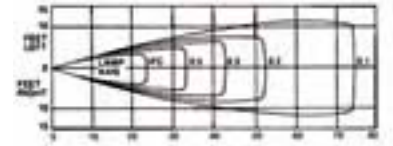
WIDE ARRAY OF LED LAMPS  
PAGES 10-13



UNDER CABINET LIGHTING  
PAGE 14



LED UNDER CABINET LIGHTING  
PAGE 15



LAMP HEAD PHOTOMETRICS  
PAGES 70-73



DIRECT VIEW LED CUSTOM SIGNS  
PAGES 62 & 63



NEW VARIETY OF REMOTE HEADS AND FIXTURES FOR  
INTERIOR AND EXTERIOR PATH OF EGRESS PAGE 51-55



BACKLIT VIEW LED CUSTOM SIGNS  
PAGES 64 & 65



WET LOCATION  
EMERGENCY LIGHTS PAGE 47

ADJUSTABLE HEADS HIGH OUTPUT  
EMERGENCY LIGHTS PAGE 35

LOW PROFILE EMERGENCY LIGHTS  
PAGE 42



PHOTOLUMINESCENT EXIT SIGNS  
PAGE 29



NEW YORK APPROVED  
EDGE-LIT LED EXIT SIGNS PAGE 60



DURABLE STEEL  
EMERGENCY LIGHTS PAGE 49



NEW YORK APPROVED  
EMERGENCY LIGHTS PAGE 61



ADJUSTABLE HEADS COMBINATION  
EXIT UNITS PAGE 32



NEW YORK APPROVED  
DIE CAST LED EXIT SIGNS PAGE 59



DIRECT VIEW LED EXIT SIGNS  
PAGE 19



RECESSED ARCHITECTURAL  
EMERGENCY LIGHT PAGE 40



NEW YORK APPROVED  
EMERGENCY LIGHTS PAGE 61



NEW YORK APPROVED  
COMBINATION EXIT UNITS PAGE 58



FAST TRANSFER SINGLE PHASE  
UPS MINI PAGE 68



Letter from the CEO ..... 2

New Mule Products ..... 3

EZ-Spec & EZ-Stock ..... 6

EZ-Spec Sample ..... 7

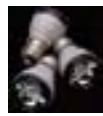
**LED FLEX**



LED Flex ..... 8

LED Flex ..... 9

**DYNALUX LED BULBS**



LED Spotlamp

LED MR16 Bulb

LED MR16 Dimmable Bulb ..... 10



LED Festival Lamp

LED Festival S11

LED Festival G12 ..... 11



LEDalux Series

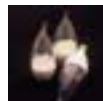
LEDelier Series ..... 12



G45 Series

A19 Series

R50 Series



R63 Series

FlameTip Series ..... 13

**UNDER CABINET LIGHTING**



UCL Series..... 14

LED Cove Series..... 15

**RETRO FIT KITS**



QuickFit Series..... 16

**SELF-DIAGNOSTIC OPTIONS**



Smartest Self-Diagnostics ..... 17

**LED EXIT SIGNS**



MX Series..... 18

Matrix Series..... 19

Classic Series ..... 20

Meridian Series..... 21

Renaissance Series ..... 22

Precision Series ..... 23

NEMA 4X Series-N4X..... 24

Pinnacle Series ..... 25

Robo Series ..... 26

E-Star Series..... 27



**SELF-LUMINOUS EXIT SIGNS**



Ever-Green Series..... 28

**PHOTOLUMINESCENT EXIT SIGNS**



Ever-Brite Series..... 29

**LED EXIT SIGNS & EMERGENCY LIGHTING**

**COMBINATION SERIES**



EPX-Steel ..... 30

SQ-Square Heads ..... 31

CC-Adjustable Heads..... 32

**COMMERCIAL EMERGENCY LIGHTING**



Econo-Lite Series ..... 33

Radius Series ..... 34

SQ High Output Series ..... 35



**LITE-WAY SERIES**



BKEM-2A..... 36

EM-80 ..... 37


**ARCHITECTURAL EMERGENCY LIGHTING**

RECESSED SERIES	
	REL Low Profile ..... 38
	RG-80 Gimbal..... 39
	Covert Series ..... 40
	C-Series ..... 41
	Stylus Series ..... 42



**INDUSTRIAL EMERGENCY LIGHTING**

	EC Series..... 43
	MFC Series..... 44
	LX Series..... 45
	KES Series ..... 46
	WLEM Series..... 47
	NEMA 4X Series-NM4 ..... 48
	NEMA 12 Series ..... 49

**OUTDOOR EMERGENCY LIGHTING**

	Exterior Series ..... 50
	Exterior Path of Egress..... 51

**REMOTE HEADS AND FIXTURES**

H Series	
	GWP Series ..... 52
HM Series	
	SQRM Series ..... 53
MR Series	
	MRB Series ..... 54
RRG Series	
	CRL Series..... 55


**ACCESSORIES**

Wire Guards	
	Vandal Resistant Shields..... 56



**FLUORESCENT POWER PACKS**

	Embassy Series..... 57
---	------------------------


**NEW YORK CITY APPROVED**

	NYX Series ..... 58
	NY Meridian Series..... 59
	NY Precision Series..... 60
	NY-LX Series..... 61

**CUSTOM SIGNAGE**

	Direct View LED ..... 62
	Direct View LED ..... 63
	Backlit LED ..... 64
	Backlit LED ..... 65



**UPS SYSTEMS**

	UPS Three Phase..... 66
	UPS Single Phase ..... 67
	UPS Mini ..... 68

**CENTRAL DC SYSTEMS**

Supervisor..... 69
--------------------

**REFERENCE**

	Photometrics..... 70
	Photometrics..... 71
	Photometrics..... 72
	Lamp Reference Table ..... 73
	Model Index ..... 74
	Series Index ..... 75

**PARTNERS AND ASSOCIATIONS:**







Mule EZ-SPEC™ pages are interactive, online sheets that allow lighting specifiers to customize specifications to meet their project needs. These pages were designed to offer transparency between our internet site, printed catalog and the needs of engineers, architects, and lighting designers.

**EZ-SPEC PAGES OFFER:**

- Downloadable product specification sheets
- Ability to create submittals
- Accurate photometric data
- References to current codes and requirements

Both our web site and printed product catalog contain details of our comprehensive range of lighting products, including self-contained emergency luminaires, LED exit signage, central battery systems, and our innovative dynaLUX® family of led bulbs and product fixtures, which offer creative solutions to many traditional lighting problems.

On each of the following pages, look for the EZ-SPEC icon, which will indicate that detailed specifications for that product appear on our web site, including easy-to-use product selection charts and accurate photometric data. Our web site also includes a useful section summarizing the most recent legislation and codes relating to emergency lighting. EZ-SPEC pages conform to most generally accepted building code and specifying formats used throughout North America.

EZ-SPEC is part of our commitment to provide the construction industry with the highest level of products and services. However, if you have any questions, you may also call us toll free at (800) 556-7690.

[See Our EZ Spec Sample Page](#)

**EZ-STOCK PROGRAM**

**ALWAYS FAST, ALWAYS ACCURATE**

The Mule EZ-STOCK Program is the most aggressive and versatile in the industry. The EZ-stock Program centers around our most popular products and we provide quick shipments so you and your customers are never left in the dark. Further, our new eye catching product packaging is user-friendly and eliminates errors with its incredible ease of product identification and quantities.

With four distribution centers strategically placed around the United States and Canada, we can guarantee that your stock shipments will arrive on-time and error-free.

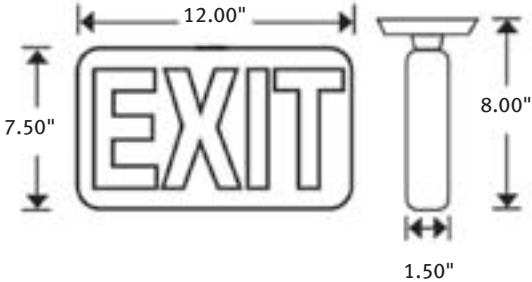
The Mule EZ-STOCK Program offers incredible flexibility and we can tailor a program to fit your stocking needs. Please contact the factory or your local Mule Lighting representative for further information.



**MX SERIES**

**MX-A**  
**THERMOPLASTIC LED EXIT SIGN**  
**AC-ONLY**

**DIMENSIONS**



**PRODUCT DESCRIPTION**

MX Series Thermoplastic LED Exit Signs offer long lamp life, energy efficiency and uniform illumination in an economical package. Possessing premium installation features such as a snap fit canopy & housing, along with push-out chevron directional indicators, the MX offers unsurpassed value in an aesthetically pleasing design. All MX signs include a second faceplate and a snap-fit canopy for universal installation.

**ENGINEERING DATA**

	INPUT VOLTS	MAX. AMPS	MAX. WATTS
Red LED	120	0.02	2.1
Red LED	277	0.01	2.3
Green LED	120	0.03	2.7
Green LED	277	0.01	2.8

**PRODUCT SPECIFICATIONS**

**CONSTRUCTION**

Injection molded, engineering-grade, UV-stable thermoplastic – UL94V-0 flame rating – Impact, scratch, fade and corrosion-resistant – Durable unibody housing frame with reinforcing ribs and integral wiring channel – Snap-fit faceplate and backplate – Second faceplate included for double face applications – 6" letters with .75" stroke width – Full-size, .75" wide chevron directional indicators – Chevron directional indicators can be easily removed or reinserted as necessary – Red or green letters – White or black textured finish.

**ACCESSORIES**

CATALOG #	DESCRIPTION
VRS1	Polycarbonate Vandal Resistant Shield
WG2	Wire Guard - Small

Add suffix to base model number  
 See Options & Accessories specification sheet for additional information

**ELECTRICAL**

Dual voltage 120/277vac – Rated for use in damp locations – Option 2-circuit versions to comply with local codes and special requirements.

**OPTIONS**

CATALOG #	DESCRIPTION
DLC	Two-Circuit Operation
BL	Black Housing

Add suffix to base model number



**LAMPS**

Long life, energy saving LED lamps – Red or green LED/letters – Red signs and green signs consume less than 3 watts – LEDs are connected in a series/parallel configuration such that the unlikely failure of one LED will affect no more than one other LED

**CODE COMPLIANCE**

UL Listed – ETL Listed – CUL Listed – Damp location rated – NFPA 101 Life Safety Code compliant – NEC and OSHA compliant – Meets the State of Minnesota energy efficiency requirements – Energy Star compliant.

**WARRANTY**

5-year warranty. Product specifications subject to change without notice.

**INSTALLATION**

**MOUNTING**

May be top, back or end mounted – All signs include quick-install snap-fit canopy and mounting hardware for easy top or end mount installation

**ORDERING INFORMATION**

SERIES	OPERATION	LETTER COLOR	# FACES
MX=Thermoplastic	A=AC Only	R=Red Letters	U=Universal
LED Exit Sign		G=Green Letters	

Ordering Example : MXARU



**BENEFITS & FEATURES**

- Available in 120V or 24V
- Can save up to 70% in energy costs over traditional neon
- Cool to the touch, low heat LEDs available in Blue, Green, Orange, Red, Yellow & White
- LEDs spaced .75" apart produce uniform illumination
- Flexible plastic housing is field-cutttable and bendable
- Installs easily into linear aluminum "U" channel and/or mini-channel clips
- Extensive offering of connectors for easy in-field installation
- Rated for wet location
- Soft Start option available
- UL Listed

**LED-COLORFLEX™**

Featuring the same superior qualities as LED-FLEX, our new LED-COLORFLEX shines bright both day and night. Exterior lighting often gets "washed-out" by sunlight, but by coloring the housing of the LED-COLORFLEX to match the LED color, we have been able to offset this process. This is ideal for installations where a vibrant light output is needed during daylight hours. At night, the COLOR-FLEX product appears as bright as our original LED-FLEX. Another valuable benefit to adding color is the product appears to be lit even when the power is off.

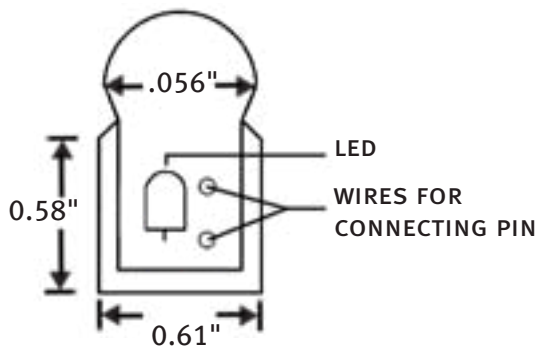


**ACCESSORIES ORDERING INFORMATION**

MODEL	DESCRIPTION
LED-FX-PS-120-1.6	120 Volt Power Supply, 1.6A
LED-FX-PS-120-4	120 Volt Power Supply, 4A
LED-FX-PS-24-1.6	24 Volt Power Supply, 1.6A
LED-FX-PS-24-4	24 Volt Power Supply, 4A
LED-FX-CH6	6 Ft Linear Aluminum Channel
LED-FX-5	Mini Aluminum Channel
LED-FX-T	T Connector
LED-FX-X	X Connector
LED-FX-L1	L Connector
LED-FX-L2	90° Inside Corner Connector
LED-FX-L3	90° Outside Corner Connector
LED-FX-MC1	1 Foot Middle Connector
LED-FX-MC5	5 Foot Middle Connector
LED-FX-MC10	10 Foot Middle Connector
LED-FX-END	End Cap
LED-FX-HST	Splice Kit with Pins
LED-FX-SFT	Soft Starter

**LED-FLEX®**

The ideal lighting solution for any architectural, accent or signage application, LED-FLEX® incorporates light emitting diode (LED) technology in a flexible, durable tube that uses a proprietary maximization technique to achieve the appearance and brightness of traditional neon. Completely sealed and impervious to shock and vibration, LED-FLEX® can be used indoors or out, in wet and extreme conditions. Best yet, LED-FLEX® is up to 70% more efficient than neon and provides long years of continuous use.





**COST COMPARISON: CASE STUDY - NATIONAL RESTAURANT CHAIN WITH 1,500-SITES**

	NEON	LED-FLEX	SAVINGS
Typical length/site (feet)	350	350	
Watts per foot	8.75	1.92	6.83
Power consumption (kW)	3.1	0.67	2.43
Hours of illumination/day	15	15	
kWh per month	1,395	302	1,093
Total kWh consumption per year/per site	16,740	3,624	13,116
Total kWh consumption per year/ALL 1,500 sites	25,110,000	5,436,000	19,674,000
Average Electricity Price	\$0.08	\$0.08	
Electricity Cost (per site/per year)	\$1,339	\$290	\$1,049
Electricity Cost (ALL 1,500 sites/per year)	\$2,008,500	\$435,000	\$1,573,500
Estimated maintenance costs (per site/per year)	\$900	\$200	\$700
Est. maintenance costs (ALL 1,500 sites/per year)	\$1,350,000	\$300,000	\$1,050,000
<b>Total Estimated Savings — ALL sites/per year</b>			<b>\$2,623,500</b>


**LED FLEX PRODUCT SPECIFICS**

COLOR	VOLTAGE	CUTTING UNIT	WATTS/FT.	1.6 AMP	4 AMP
Red	120	2.5 feet	1.92	96 Feet	240 Feet
Orange	120	2.5 feet	1.92	96 Feet	240 Feet
Yellow	120	2.5 feet	1.92	96 Feet	240 Feet
Green	120	1.5 Feet	2.4	96 Feet	240 Feet
Blue	120	1.5 Feet	2.4	96 Feet	240 Feet
White	120	1.5 Feet	2.4	96 Feet	240 Feet
Red	24	4 Inches	2.16	16 Feet	40 Feet
Orange	24	4 Inches	2.16	16 Feet	40 Feet
Yellow	24	4 Inches	2.16	16 Feet	40 Feet
Green	24	3 Inches	2.88	16 Feet	40 Feet
Blue	24	3 Inches	2.88	16 Feet	40 Feet
White	24	3 Inches	2.88	16 Feet	40 Feet


**ORDERING INFORMATION**

MODEL	COLOR	LENGTH*	VOLTAGE
LED-FX = (LED-Flex)	R = Red	Specify Length in Feet	24 = 24 VAC
LED-CFX = (LED-Color Flex)	O = Orange		120 = 120 VAC
	Y = Yellow		
	G = Green		
	B = Blue		
	W = White		

Ordering Example: LED-FX-R-130-120

\*Length ordered must be divisible by the cutting unit length

**LED Spotlamp**



**SPECIFICS**

Voltage: 90-250VAC  
 Consume: 2.5W  
 Rating: IP63  
 Base Type: Medium  
 Beam Angle: 4° to 80° (Standard W/ 4°)  
 Operate Temp.: -30° to 70°C  
 Lamp Life: 100,000 Hrs

**BENEFITS & FEATURES**

- Long life, up to 100,000+ hours
- Significantly reduces maintenance costs
- Standard bulbs consume under 3 watts
- Electricity consumption reduced 80-90%
- Vibration resistant, solid state electronic circuitry
- Internal TVS surge protection
- Low heat generation saves HVAC operating costs
- Variety of sharp, vibrant colors available
- Investment payback within 1 year

**MR16 LED Bulb**



**SPECIFICS**

Voltage: 5.6 to 24 Volts AC/DC  
 Consume: 2.0W  
 Rating: IP63  
 Base Type: GU5.3  
 Beam Angle: 4° to 80° (Standard W/ 4°)  
 Operate Temp.: -30° to 85°C  
 Lamp Life: 100,000 Hrs

**SPECIAL APPLICATIONS**

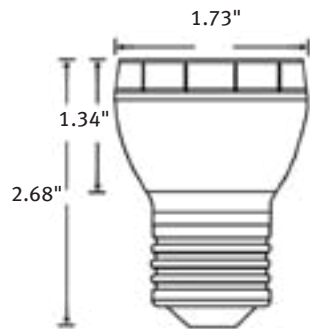
- Lobby lighting
- Hotel lighting
- High ceilings
- Chandeliers
- Display cases
- Signage
- Shopping Malls
- Solar lighting
- Recessed cans
- Cabinet/under cabinet
- Step lighting
- Cove lighting
- Wall sconces
- Column lights
- Amusement Parks
- Signal lighting
- Pathway lighting
- Splash lighting

**MR16 Dimmable LED Bulb**

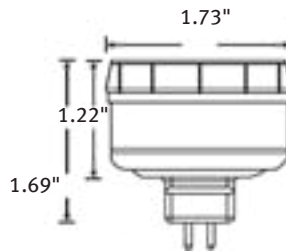


**SPECIFICS**

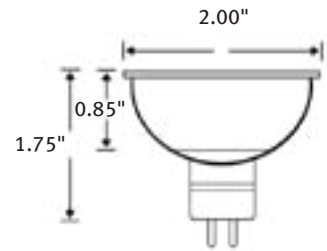
Voltage: 6 to 24 Volts AC/DC  
 Consume: 2.0W  
 Rating: IP63  
 Base Type: GU5.3  
 Beam Angle: 4° to 80° (Standard W/ 4°)  
 Operate Temp.: -30° to 85°C  
 Lamp Life: 100,000 Hrs



LED SPOTLAMP



MR16 LED BULB



MR16 DIMMABLE LED BULB

**ORDERING INFORMATION**

MODEL	COLOR	OPTIONAL DIFFUSER LENS (STANDARD IS 4°)
SP = Spotlamp	WH = White	10 = 10 Degrees
MR16 = MR16	RD = Red	16 = 16 Degrees
MR16D = MR16 Dimmable	AM = Amber	25 = 25 Degrees
	BL = Blue	50 = 50 Degrees
	GN = Green	80 = 80 Degrees

Ordering Example: SP-WH-16


**BENEFITS & FEATURES**

- Long life, up to 100,000+ hours
- Significantly reduces maintenance costs
- Low wattage consumption
- Electricity consumption reduced 80-90%
- Vibration resistant, solid state electronic circuitry
- Internal TVS surge protection
- Low heat generation saves HVAC operating costs
- Variety of sharp, vibrant colors available
- 120 VAC standard
- Investment payback within 1 year

**SPECIAL APPLICATIONS**

- Lobby lighting
- Hotel lighting
- High ceilings
- Chandeliers
- Display cases
- Signage
- Shopping Malls
- Solar lighting
- Recessed cans
- Cabinet/under cabinet
- Step lighting
- Cove lighting
- Wall sconces
- Column lights
- Amusement Parks
- Signal lighting
- Pathway lighting
- Splash lighting

**LED Festival Lamp**
**SPECIFICS**

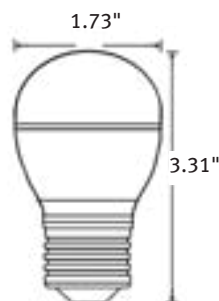
Voltage:	90-240 VAC
Consume:	2.5W
Rating:	IP63
Base Type:	Medium
Beam Angle:	130°
Operate Temp.:	-30° to 70°C
Lamp Life:	100,000 Hrs


**LED Festival S11**
**SPECIFICS**

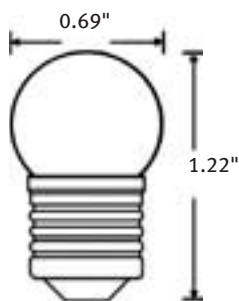
Voltage:	100-240VAC
Consume:	0.3W
Rating:	IP63
Base Type:	Medium
Beam Angle:	130°
Operate Temp.:	-30° to 70°C
Lamp Life:	60,000 Hrs


**LED Festival G12**
**SPECIFICS**

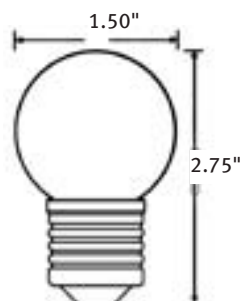
Voltage:	100-240VAC
Consume:	2.5W
Rating:	IP63
Base Type:	Medium
Beam Angle:	130°
Operate Temp.:	-30° to 70°C
Lamp Life:	100,000 Hrs



LED FESTIVAL LAMP



LED FESTIVAL S11



LED FESTIVAL G12

**ORDERING INFORMATION**

MODEL	COLOR
FS = Festival Lamp	WH = White
S11 = Festival S11	RD = Red
G12 = Festival G12	AM = Amber
	BL = Blue
	GN = Green

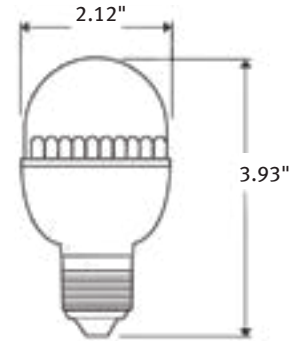
Ordering Example: G12-WH

## LEDalux® Series



Our patented LEDalux® Series of LED lamps is a breakthrough design. Now energy conservation is possible for most forms of illumination. The 360° viewing angle design provides illumination patterns equivalent to conventional incandescent bulbs. Retrofitting for energy efficiency has been taken to a new and effortless level. Ideal for use in decorative, indicator, task, medical and marine applications.

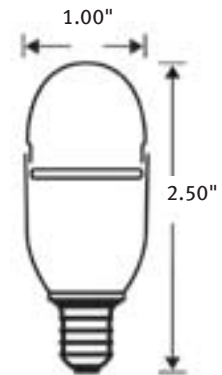
LEDalux Series LED lamps are available in a number of colors and color combinations. Special high abuse versions, with a sealed circuit board design, are available for the most extreme applications. Mule personnel are always available to work with customers on any special requirements.



## LEDelier™ Series



Our patented LEDelier™ Series of decorative, candelabra base LED bulbs offers an energy efficient, direct replacement for incandescent and fluorescent bulbs. LEDeliers are available in a variety of LED colors and luminance intensities to meet the desired lighting effect. Increased brightness, lower costs, and a wide range of shapes and sizes have made replacing inefficient incandescent and fluorescent bulbs with LED technology a smart and easy choice for architectural, commercial and industrial applications.



### BENEFITS & FEATURES

- Long life, up to 100,000+ hours
- Significantly reduces maintenance costs
- Standard bulbs consume under 1 watt
- Electricity consumption reduced 80-90%
- Vibration resistant, solid state electronic circuitry
- Internal TVS surge protection
- Low heat generation saves HVAC operating costs
- Variety of sharp, vibrant colors and luminance outputs available
- 120 VAC standard
- Investment payback within 1 year
- Medium base standard for LEDalux Series
- Candelabra base standard for LEDelier Series

### SPECIAL APPLICATIONS

- Lobby lighting
- Hotel lighting
- High ceilings
- Chandeliers
- Display cases
- Signage
- Nurse call lights
- Solar lighting
- Shopping Malls
- Cabinet/under cabinet
- Step lighting
- Cove lighting
- Wall sconces
- Column lights
- Amusement Parks
- Signal lighting
- Pathway lighting

### ORDERING INFORMATION

MODEL	COLOR	VOLTAGE	LENS	OPTIONS (LEDELIER ONLY)
LED = LEDalux	A = Amber	120 = 120 VAC	FR = Frosted	IS = Intermediate Base Adapter
LDL = LEDelier	R = Red		CL = Clear	DC = Bayonet Base Adapter
	G = Green			MB = Medium Base Adapter
	B = Blue			
	CW = Cool White			
	WW = Warm White			

Ordering Example: LED-WW-120-FR

**BENEFITS & FEATURES**

- Long life, up to 100,000+ hours
- Significantly reduces maintenance costs
- Low wattage consumption
- Electricity consumption reduced 80-90%
- Vibration resistant, solid state electronic circuitry
- Internal TVS surge protection
- Low heat generation saves HVAC operating costs
- Variety of sharp, vibrant colors and luminance outputs available
- 120 VAC standard
- Investment payback within 1 year
- Medium base standard for G45, A19, & R63
- Candelabra base standard for R50 & FlameTip
- Reflective coating for added brightness on R50 & R63

**SPECIAL APPLICATIONS FOR G45, A19, R50 & R63**

- |                  |                         |
|------------------|-------------------------|
| • Lobby lighting | • Cabinet/under cabinet |
| • Hotel lighting | • Step lighting         |
| • High ceilings  | • Cove lighting         |
| • Chandeliers    | • Wall sconces          |
| • Display cases  | • Column lights         |
| • Signage        | • Amusement Parks       |
| • Shopping Malls | • Signal lighting       |
| • Solar lighting | • Pathway lighting      |

**SPECIAL APPLICATIONS FOR A19, R50 & R63**

- Recessed cans
- Splash lighting

**SPECIAL APPLICATIONS FOR FLAMETIP**

- |                  |                 |
|------------------|-----------------|
| • Lobby lighting | • Cove lighting |
| • Hotel lighting | • Step lighting |
| • High ceilings  | • Chandeliers   |

**MULE DESIGN A LAMP FOR YOUR NEEDS**

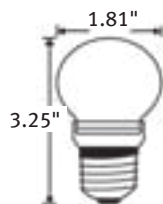
We welcome the opportunity to custom design an LED bulb to exactly meet customer requirements. We have the ability to increase or decrease the light output, change the lens material and color, and/or alter the overall shape.

**ORDERING INFORMATION**

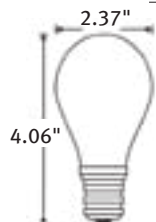
MODEL	COLOR	VOLTAGE	LENS	OPTIONS
G45	A = Amber	120 = 120 VAC	FR = Frosted CL = Clear	MB = Medium Base Adapter*
R50 (Candelabra Base)	R = Red			
R63 (Medium Base)	G = Green			
A19	B = Blue			
FTL	CW = Cool White WW = Warm White			

Ordering Example: G45-CW-120-CL

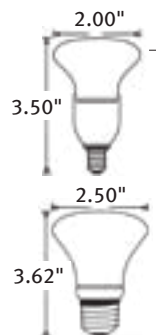
\*FLAMETIP ONLY

**G45 Series™**

**SPECIFICS**

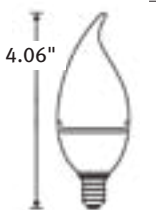
- Voltage: 120VAC
- Consume: 1.2W
- Rating: Indoor Only
- Base Type: Medium
- Beam Angle: 130°
- Operate Temp: -30° to 85°C
- Lamp Life: 100,000 Hrs


**A19 Series™**

**SPECIFICS**

- Voltage: 120VAC
- Consume: 1.2W
- Rating: Indoor Only
- Base Type: Medium
- Beam Angle: 130°
- Operate Temp: -30° to 85°C
- Lamp Life: 100,000 Hrs


**R50 & R63 Series™**

**SPECIFICS**

- Voltage: 120VAC
- Consume: 1.2W
- Rating: Indoor Only
- Base Type: R50 Candelabra, R63 Medium
- Beam Angle: 80°
- Operate Temp.: -30° to 85°C
- Lamp Life: 100,000 Hrs


**FlameTip Series™**

**SPECIFICS**

- Voltage: 120VAC
- Consume: 1.2W
- Rating: Indoor Only
- Base Type: Candelabra
- Beam Angle: 130°
- Operate Temp.: -30° to 85°C
- Lamp Life: 100,000 Hrs





**UNDER CABINET LIGHTING**

The UCL Series of under cabinet lighting provides an energy efficient and uniform illumination for all under cabinet and shelving applications. Available in five different sizes to fit every installation.

**BENEFITS AND FEATURES**

- Housing made of heavy gauge steel with flush ends
- Slim design fits discretely under cabinets and shelves
- Knockouts conveniently located on side and back of fixture
- White enamel finish
- Snap-in prismatic acrylic diffuser provides even light distribution
- Pre-wired for 110-125 VAC operation
- T5 Style lamps included with fixture
- Electronic Ballast included with fixture
- Can be mounted individually or in continuous rows
- Factory supplied switch provided with every fixture
- UL Listed



UCL-12



UCL-21



UCL-24



UCL-42

**ORDERING INFORMATION**

MODEL	DESCRIPTION	LAMPS (INCLUDED)	OVERALL DIMENSIONS (IN)
UCL-12	12" Under Cabinet - Electronic Ballast	(1) 8 Watt T5	12.250 x 5 x 1.10
UCL-21	21" Under Cabinet - Electronic Ballast	(1) 13 Watt T5	21.125 x 5 x 1.10
UCL-24	24" Under Cabinet - Electronic Ballast	(2) 8 Watt T5	24.375 x 5 x 1.10
UCL-33	33" Under Cabinet - Electronic Ballast	(1) 8 Watt T5 (1) 13 Watt T5	33.875 x 5 x 1.10
UCL-42	42" Under Cabinet - Electronic Ballast	(2) 13 Watt T5	42.250 x 5 x 1.10

Ordering Example: UCL-12

## BENEFITS AND FEATURES

- Energy efficient LED lighting
- Low or line voltage available
- Available in a variety of colors
- Estimated life is 75,000+ hours
- No UV or IR radiation
- Compact, architecturally pleasing design
- Black powder coat finish
- Available with light adjustable controller (Dimmer) built-in
- Remote Control provides easy access to illumination

## DETAILED SPECIFICATIONS

- Input Voltage: 12VDC or 120 VAC
- LED Input Current: 700mA
- Power Consumption: 7.9 Watts
- Maximum Connection 5 Modules
- Operating Temperature: -40°C - +80°C
- LED Expected Life: 75,000+ hours
- Brightness: 270 Lumens (white)
- Dimensions: 12"L x 2.36"W x 1"H

## APPLICATIONS

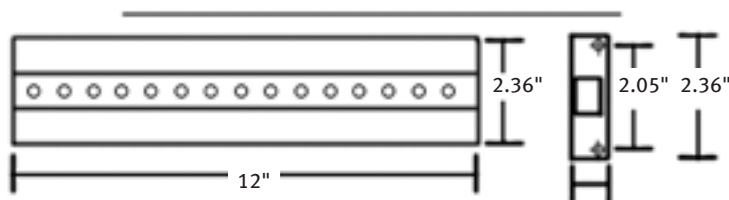
- Cove Lighting
- Accent Lighting
- Cabinet/Under cabinet Lighting
- Display Case Lighting
- RV Cabin Lighting
- Yacht Cabin/Accent Lighting



REMOTE CONTROL

## UNDER CABINET MODULES

LED Cove/Under cabinet modules are ready-to-operate light fixtures with six 1 Watt Luxeon® Emitters included, per unit. Constructed of a high quality extruded aluminum housing with a flat black powder coat finish. These modules can be wall mounted or bracket mounted in any location. Each module is driven by a 12VDC power source or can be provided with a 120VAC power adaptor and plug. The brightness is dimmable with our patented infrared controller. The modules can be daisy-chained together (up to five modules) to run from one power source.



Luxeon® is a registered trademark of Lumileds®

## ORDERING INFORMATION

MODEL	COLOR	VOLTAGE	OPTIONS
CLED	W = White	12 = 12 VAC	DIM = Built-in Dimmer
	WW = Warm White	120 = 120 VAC	IC = Infrared Controller

Ordering Example: CLED-W-12-IC

**ENERGY SAVING LED REPLACEMENT BULBS**

Quick-Fit™ LED Bulbs are energy efficient replacement bulbs for illuminated exit signs and fixtures. Now you can eliminate the maintenance headaches associated with the old fluorescent and incandescent type lamps. Designed for commercial, industrial and institutional facilities where low maintenance and ease of installation are important, this versatile LED bulb provides years of maintenance-free illumination at a minimal cost.



**DIMENSIONS:**  
5 7/16" LX 1 5/8" WX 13/16" D



**BENEFITS AND FEATURES**

- ITL Tested to only 1.2 watts
- Super-bright LEDs – Red or Green
- Special order – White, Blue, Amber LEDs
- Save up to \$88.00 per year/per sign
- Provides even illumination – no hot spots
- Eliminates maintenance – no more lamp changes
- Installs in seconds
- Surge protected
- Non-breakable housing
- All base types or hard wired
- Use for single or double face fixtures
- 120 or 277 volt (277 volt hard wired only)
- Swivel base for perfect alignment
- Patented design
- ETL Listed

**ORDERING INFORMATION**

MODEL (Set of 2)	BASE TYPE	VOLTAGE
<b>RED</b>		
948200-BP	Universal*	120 VAC
948100	Hard wired	120/277 VAC
<b>GREEN</b>		
948402	Universal**	120 VAC
948402-HW	Hard wired	120/277 VAC
<b>WHITE</b>		
948016	Universal**	120 VAC
948016-HW	Hard wired	120/277 VAC

Ordering Example: 948200-BP  
Add order suffix RL to model for optional improved illumination LED lens.

**PROJECTED ANNUAL SAVINGS**

(Based on 100 fixtures)	INCANDESCENT	FLUORESCENT	LED
Existing watts	40	7	2.4
Hours per day	24	24	24
Cost per KWH	\$0.10	\$0.10	\$0.10
Annual energy cost	\$3,504.00	\$1,489.00	\$210.00
Hourly rate	\$25.00	\$25.00	\$25.00
Replacement time	30 min.	30 min.	30 min
Yearly replacements	2.9	.9	0
Annual labor cost	\$3,625.00	\$1,125.00	\$0.00
No. of lamps	2@3.25 ea	2@\$4.86 ea	0
No. times replaced	2.9	.9	0
Annual lamp cost	\$1,885.00	\$875.00	\$0.00
Total annual cost	\$9,014.00	\$3,488.00	\$210.00
<b>Savings</b>	<b>\$8,804.00</b>	<b>\$3,278.00</b>	

\*THIS BLISTER PACK SET CONTAINS TWO CANDELABRA BASE BULBS AND ADAPTERS FOR INTERMEDIATE AND DC BAYONET.

\*\*INCLUDES EXTRA BASE ADAPTERS.

## BENEFITS AND FEATURES

- Meets UL 924 standards for self-testing and self-diagnostic equipment
- Monitors voltage, lamp continuity, incoming utility power and unit performance every 10 seconds without discharging the battery or illuminating lamps
- Monitors remote lighting heads
- Preset at the factory, no field adjustment required
- Dedicated LEDs automatically indicate lamp, battery and charger status
- Microprocessor-based circuitry
- Timer automatically restarts if there is a problem with the microprocessor
- 24-hour lockout feature allows battery to recharge after power outage or diagnostic test without indicating failure

## COMPATIBILITY

The Smartest feature is compatible with the following Mule Lighting products:

- |                      |                            |
|----------------------|----------------------------|
| • MX Series          | • Combination Series       |
| • Matrix Series      | • Econo-Lite Series        |
| • Classic Series     | • Radius Series            |
| • Meridian Series    | • Stylus Series            |
| • E-Star Series      | • SQ High Output Series    |
| • Renaissance Series | • Recessed (Model REL & C) |
| • Precision Series   | • EC Series                |
| • NEMA 4X Series     | • MFC Series               |
| • NEMA 12 Series     | • LX Series                |
| • Pinnacle Series    | • KES Series               |
| • Robo Series        | • WLEM Series              |

## OPERATION

### AUTOMATIC TESTS

- Verifies battery voltage and lamp continuity every 10 seconds
- Illuminates lamps and discharges battery for three minutes every 30 days, and for 90 minutes every six months

### MANUAL TESTS

- Three minute, 30 minute or 90 minute battery discharge and lamp illumination test

## ORDERING INFORMATION

SD = Self-Diagnostics      Add suffix SD to the end of compatible model numbers

The Smartest™ option assists the user in meeting strict Fire safety Codes—most require that a functional test be conducted on every required emergency lighting system at 30 day intervals for a minimum of 30 seconds. Incorporating the Smartest option is the most efficient way for maintenance personnel to test a number of emergency lighting fixtures in a short period of time. The Smartest constantly monitors the status of the lamps, battery and the charger. If any one of these components isn't working properly, the LED display will immediately indicate that a component problem exists.



**UNIVERSAL THERMOPLASTIC LED EXIT**

The MX Series combines an ultra-slim polycarbonate housing and dependable Mule LED performance to give you a versatile all-in-one, 21st century design. This truly universal exit sign includes the canopy and extra faces for any application. Installation is accomplished in minutes with our tool-less, Snap-In™ design. Available with red or green energy efficient LED light sources to provide years of maintenance-free illumination at a minimal cost.

**BENEFITS & FEATURES****ALL MODELS**

- Durable scratch resistant polycarbonate housing
- Diffused Super-bright LEDs – Red or Green
- Even illumination – no hot spots
- Dual voltage 120/277 standard
- Eliminates maintenance – no more lamp changes
- Ultra-slim profile, contoured design
- Snap-In canopy, universal mounting
- Snap-In directional chevrons
- Installs in seconds with the simple Snap-In design
- Universal – All signs
- Damp location rated
- ETL and UL listed
- Meets NFPA 101, NEC, OSHA
- 5 Year Limited Warranty

**AC ONLY MODELS**

- Total power consumption under 2 watts

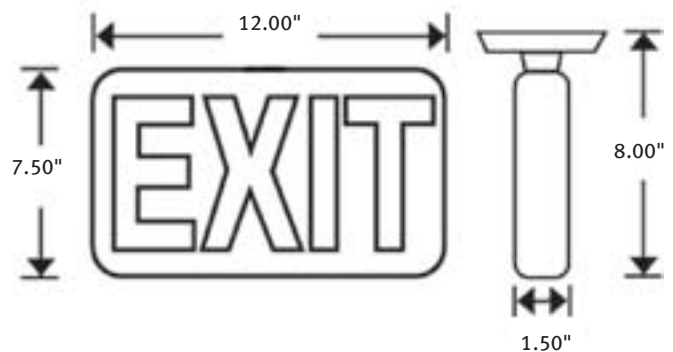
**SELF-POWERED MODELS**

- Total power consumption under 5 watts
- Sealed maintenance-free nickel cadmium battery
- Solid state charger
- Low voltage disconnect & brownout protection
- Flush mounted push-to-test switch & LED indicator
- Available with exclusive Infrared Remote Control battery tester. Makes battery inspections quick and easy without the need for a ladder.
- Available with Self-diagnostics function.

**ACCESSORIES**

ACCESSORY	DESCRIPTION
VRS1	Vandal Resistant Shield - Wall Mount
WG2	Wire Guard - Small
VRL	Vandal Resistant Lens
Remote	Infrared Remote Control Battery Checker

Add suffix to model or order separately

**ORDERING INFORMATION**

MODEL	DESCRIPTION	OPTIONS
<b>AC Only</b>		REM = High Output Remote Capable
MXARU	Red Letters, Universal	SD = Self-Diagnostics
MXAGU	Green Letters, Universal	FL = Flasher
<b>Battery Backup</b>		BL = Black Housing
MXBRU	Red Letters, Universal, NiCad Battery	FAI = Fire Alarm Interface
MXBGU	Green Letters, Universal, NiCad Battery	DLC = Dual Circuit

Ordering Example: MXBRU-SD





**BENEFITS & FEATURES**

**ALL MODELS**

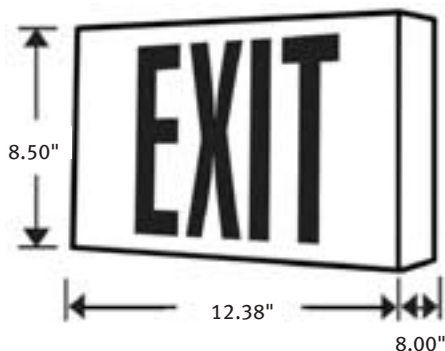
- Housing constructed of 20 gauge galvanized steel
- Red or Green high intensity LEDs
- 1/8" protective polycarbonate shield
- Available in white or black enclosure colors
- Optional enclosure colors available
- Universal mounting canopy included
- Universal directional chevrons with reusable covers
- 120/277 VAC
- Short circuit protection

**SELF-POWERED MODELS**

- Self-Powered
- Self Diagnostics available
- Overcharge protection
- Trickle charger extends battery life
- Push-to-test button
- Flasher/Buzzer options meet ADA requirements
- Maintenance-free sealed lead acid battery
- 90 minute emergency run time
- ETL listed

**DIRECT VIEW LED EXIT**

With an appealing design and dependable performance, the Matrix Series utilizes individual red or green LEDs to "spell out" EXIT. Designed for maximum illumination, this versatile exit is available in a 20 gauge white or black steel housing. The LED light source provides years of maintenance-free illumination at a minimal cost.



**ACCESSORIES**

ACCESSORY	DESCRIPTION
TPT	Tamper Proof Tool
PK12	12" Pendant Kit
PK24	24" Pendant Kit
NM1	Single Face NEMA 4X Enclosure
NM2	Double Face NEMA 4X Enclosure
VRS	Vandal Resistant Shield - Wall Mount
WG2	Wire Guard

Add suffix to model

**ORDERING INFORMATION**

MODEL	OPERATION	# OF FACES	LETTER COLOR	HOUSING COLOR	OPTIONS
DV	A = AC Only	1 = Single	R = Red	WH = White	SD = Self Diagnostics
	B = Battery Backup	2 = Double	G = Green	BL = Black	NC = NiCad Battery
					FL = Flasher
					BZ = Buzzer
					FB = Flasher & Buzzer
					DL = Damp Location Rated
					DLC = Dual Circuit
					TP = Tamper Proof Screws

Ordering Example: DV-B-1-G-BL-SD

**DIE-CAST ALUMINUM LED EXIT**

With a rugged specification grade die cast aluminum frame and architecturally pleasing design, the Classic Series will complement virtually any decor. Designed for commercial, industrial and institutional facilities where appearance, low maintenance and ease of installation are important. Available with red or green energy efficient LED light sources to provide years of maintenance-free illumination at a minimal cost.



**BENEFITS & FEATURES**

**ALL MODELS**

- Rugged vandal resistant construction
- Diffused Super-bright LEDs – Red or Green
- Even illumination – no hot spots
- Dual voltage 120/277 standard
- Eliminates maintenance – no more lamp changes
- Same compact frame for AC and Self-Powered models
- Universal ceiling, end or surface mount
- Universal chevron knockouts
- ETL listed
- Meets NFPA 101, NEC, OSHA
- 5 Year Limited Warranty

**AC ONLY MODELS**

- Total power consumption under 2 watts

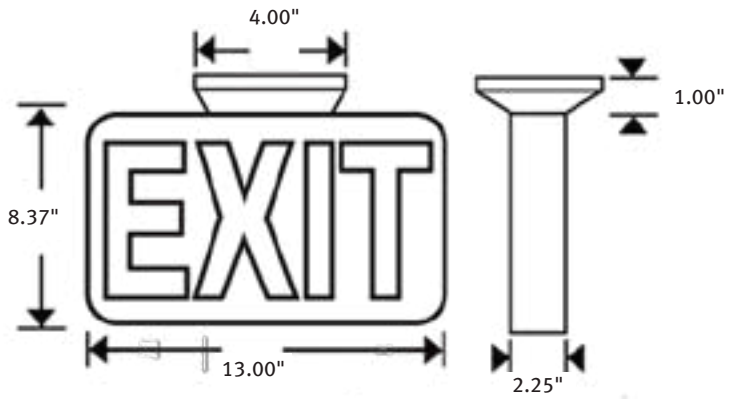
**SELF-POWERED MODELS**

- Total power consumption under 5 watts
- Sealed maintenance-free nickel cadmium battery
- Solid state charger
- Low voltage disconnect & brownout protection
- LED AC pilot and “Ready” indicator monitors charging status
- Push-to-test switch

**ACCESSORIES**

ACCESSORY	DESCRIPTION
WG2	Wire Guard
VRS	Vandal Resistant Shield - Wall Mount
VRL	Vandal Resistant Lens

Add suffix to model or order separately



**ORDERING INFORMATION**

MODEL	# OF FACES	COLOR CODE	OPTIONS
<b>AC Only</b>			FL = Flasher
CX	1 = Single	BAR = Red Letters, Black Housing, Brushed Aluminum Face	BZ = Buzzer
<b>Battery Backup</b>			FAI = Fire Alarm Interface
PCX	2 = Double	BAG = Green Letters, Black Housing, Brushed Aluminum Face	SL = Special Lettering
		BBR = Red Letters, Black Housing, Black Face	DR = Damp Rated
		BBG = Green Letters, Black Housing, Black Face	ERT = Extended Run Time
		WWR = Red Letters, White Housing, White Face	DLC = Dual Circuit
		WWG = Green Letters, White Housing, White Face	SD = Self-Diagnostics
			RMK = Recessed Mounting Kit
			LLE = Low-level matching exit for master/slave setup

Ordering Example: PCX-1-BAR-WG2

### BENEFITS & FEATURES

#### ALL MODELS

- Unique curved face
- High-strength cast aluminum
- Compact, low-profile design
- Easy to install
- Long-life LED lamps (Red or Green)
- Bright, even illumination – no more lamp changes
- Universal (single/double face) available
- Universal end, ceiling or wall mount standard
- Universal knockout chevrons
- Dual voltage 120/277 standard with surge protection
- Damp location rated

#### AC ONLY MODELS

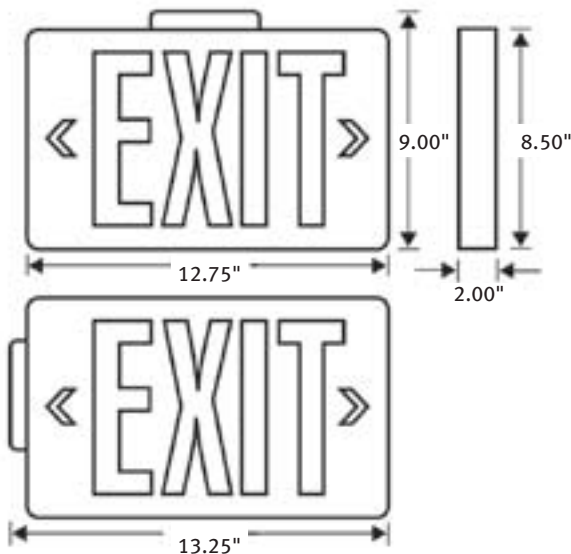
- Total power consumption under 1 watt

#### SELF-POWERED MODELS

- Total power consumption under 4 watts
- Fully automatic, 90-minute operation
- Solid-state charger with low voltage disconnect
- Premium grade, nickel cadmium battery
- AC lockout and brownout protection
- Charge rate/power on LED indicator light
- Push-to-test switch

### UNIVERSAL DIE-CAST ALUMINUM LED EXIT

The Meridian Series is the first universal LED die-cast aluminum exit sign available. Stocking and specifying a die-cast exit sign is now simple, efficient and economical. The Meridian Series combines an appealing design, the latest in die casting technology, and high performance electronics to ensure reliability. The architecturally pleasing design makes this series the premier choice for applications requiring the durability and the craftsmanship of die-cast aluminum exit signs. The unique curved face provides the brightest, most uniform illumination available in the industry and blends well with any setting-providing a clean, modern look. The die-cast aluminum construction gives the Meridian Series exceptional strength.



### ACCESSORIES

ACCESSORY	DESCRIPTION
VRS	Vandal Resistant Shield
VRL	Vandal Resistant Lens
WG2	Wire Guard

Add suffix to model or order separately

### ORDERING INFORMATION

MODEL	OPERATION	# OF FACES	LETTER COLOR	HOUSING COLOR	OPTIONS
MD	A = AC Only	1 = Single	R = Red	BA = Black with Brushed Face	SD = Self-Diagnostics
	B = With Battery	2 = Double	G = Green	BB = All Black	DLC = Dual Circuit
		U = Universal		WW = All White	FL = Flasher
				AA = All Brushed Aluminum	BZ = Buzzer

Ordering Example: MD-B-U-R-BA-WG2

**COMMERCIAL LED EDGE-LIT EXIT**

The Renaissance Series edge-lit exit features a quadruple-mounting capability and provides an attractive yet easy to install exit sign. The Renaissance can be surface-mounted, ceiling, wall, end or pendant. The sign can also be ordered with an optional kit for recessed mounting. The crystal clear lens panel provides excellent light distribution, exit visibility and quick snap-in installation. The Renaissance incorporates long life, energy efficient LED lamps that reduce energy costs and eliminate routine lamp maintenance. The under five-minute installation time makes it the fastest installed edge-lit exit on the market today.



CEILING MOUNT



WALL MOUNT



END MOUNT

**BENEFITS & FEATURES****ALL MODELS**

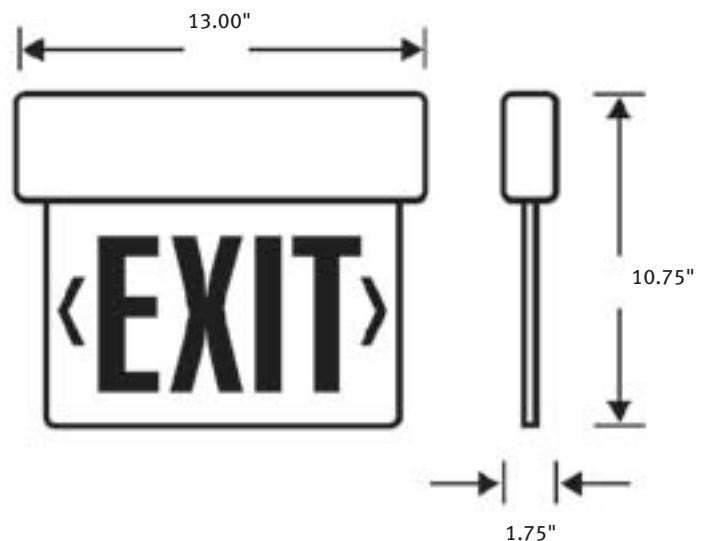
- Water-clear, molded acrylic exit panel
- Extruded aluminum housing
- Contoured, high-style design
- Universal, field-installable chevrons
- Bright, even letter illumination
- Energy-saving operation
- Ceiling, wall, end or pendant mounting standard
- Recessed mounting kit available
- Easy to install – under 5 minutes
- Dual voltage 120/277 standard with surge protection
- Red or green Super-bright LEDs

**AC ONLY MODELS**

- Total power consumption under 3 watts

**SELF-POWERED MODELS**

- Total power consumption under 5 watts
- Fully automatic, solid-state charger
- Maintenance-free nickel cadmium battery
- Automatic battery protection
- Charging system is complete with low voltage disconnect, AC lockout, and brownout protection
- Charge rate/power on LED indicator light
- Push-to-test switch

**ORDERING INFORMATION**

MODEL	# OF FACES	OPERATION	LETTER COLOR	HOUSING COLOR	OPTIONS
CEL	1 = Single	A = AC Only	R = Red	WH = White	RMK = Recessed Mounting Kit
	2 = Double	B = With Battery	G = Green	BL = Black	DLC = Dual Circuit
				BA = Brushed Aluminum	SD = Self-Diagnostics

Ordering Example: CEL-1-B-R-BA



### BENEFITS & FEATURES

#### ALL MODELS

- Recessed or universal mounting styles available
- Standard Colors are black, white, or brushed aluminum
- High clarity, acrylic panels
- Panel measures 14" x 1/4" x 7 7/8"
- Dual voltage 120/277 standard
- Eliminates maintenance – no more lamp changes
- Red or green Super-bright LEDs
- Field applicable chevrons
- ETL listed
- Voltage surge protection

#### AC ONLY MODELS

- Total power consumption under 2 watts

#### SELF-POWERED MODELS

- Total power consumption under 5 watts
- Sealed maintenance-free battery
- Solid state charger
- Low voltage disconnect & brownout protection
- LED AC pilot, "Ready" indicator and Test switch
- Calendar number – 39363

**SPECIFICATION GRADE, ARCHITECTURAL EDGE-LIT EXIT**  
 The Precision Series LED edge-lit signs combine a distinctive look with energy efficient LED technology. Ideal for new construction, renovation and remodeling projects. Providing a high quality and distinguished design, the Precision Series LED edge-lit sign is the fixture of choice whenever elegance and exceptional performance are demanded from the same fixture. These stylish, low-profile panel signs are illuminated with red or green super bright LEDs.

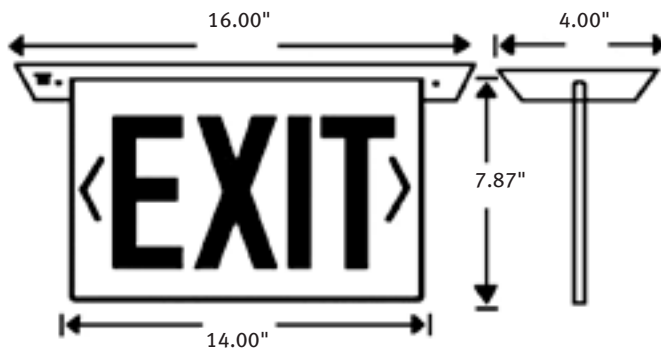


SPECIAL RECESSED MOUNT

RECESSED MOUNT

CEILING MOUNT

END MOUNT



### OPTIONS

OPTION	DESCRIPTION
NC	NiCad Battery
FL	Flasher
BZ	Buzzer
FB	Flasher & Buzzer
ERT	Extended Run Time
NYC	New York City Approved
DLC	Dual Circuit
SD	Self-Diagnostics

Add suffix to model

### ORDERING INFORMATION

MODEL	# OF FACES	POWER SUPPLY	PANEL COLOR	MOUNTING STYLE	HOUSING COLOR
ELX	1 = Single	A = AC Only	RC = Red Letters, Clear Panel	WR = Wall Recessed	WH = White
	2 = Double	B = Battery Backup	RW = Red Letters, White Panel	R = Recessed Mount	BL = Black
			RM = Red Letters, Mirrored Panel	U = Universal Ceiling, End or Wall Mount	BA = Brushed Aluminum
			GC = Green Letters, Clear Panel		
			GW = Green Letters, White Panel		
			GM = Green Letters, Mirrored Panel		
			SS = Special		

Ordering Example: ELX-1-B-RC-U-WH-NC



**VANDAL RESISTANT, WET LOCATION, LED EXIT & COMBINATION EXIT**

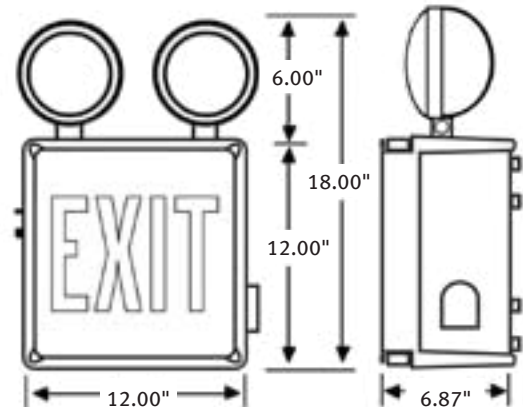
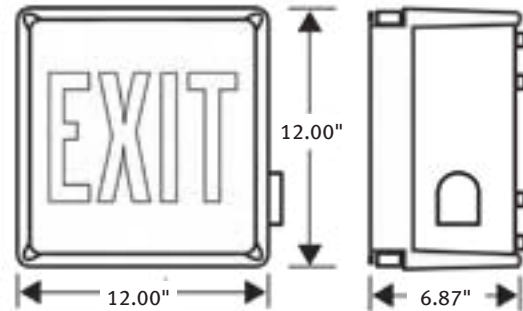
NEMA 4X rated exit signs are ideal for use in hostile environments where dirt, dust, oil, water or corrosive elements such as salt, acids and alkalines are present. Units are built into a NEMA enclosure that is weather and corrosion resistant. Enclosures include a uniformly illuminated polycarbonate face and a rugged fiberglass housing with a special one-way venting system.

**BENEFITS & FEATURES****ALL MODELS**

- NEMA 4X rating
- Waterproof
- Energy saving LEDs
- Uniformly illuminated exit legend
- Surge protected
- Oil-resistant gasket provides water-tight and dust-tight seal
- Selectable 120/277 input
- Single or double face available
- Removable Chevrons
- Certified by ETL or CSA to UL924 standards

**SELF-POWERED MODELS**

- Completely self-contained
- Low voltage disconnect
- Brownout protection
- 100% solid state charger
- Test switch
- Premium grade sealed lead acid battery
- 90 minute battery run time

**ORDERING INFORMATION**

MODEL	# OF FACES	COLOR CODE	HEADS	OPTIONS
N4X-AX = AC Only	1 = Single	R = Red	0 = None	SD = Self-Diagnostics
N4X-BX = Battery Backup	2 = Double	G = Green	2T = 2 Top Mounted	FL = Flasher (Specify Voltage)
N4X-EPX = Combination			2S = 2 Side Mounted	BZ = Buzzer (Specify Voltage)
				SL = Special Lettering
				IH = Internal Heater (Specify Voltage)
				DLC = Dual Circuit
				REM = Remote Capability

Ordering Example: N4X-BX-1-R

**BENEFITS & FEATURES**
**ALL MODELS**

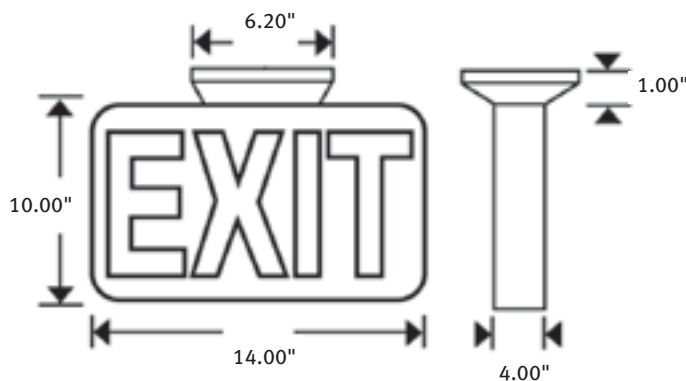
- Wet Location/IP 65 rated
- Certified by CSA to UL924 standards
- Constructed of 0.420" heavy duty cast aluminum
- High abuse clear polycarbonate shield
- Tamper resistant hardware standard
- 120/277/347 VAC input
- Operating temperature of -30°F to +135°F
- Field selectable chevrons
- LED illumination consumes under 5 watts
- Conforms to UL924, NFPA 101, OSHA standards
- Suitable for wall, ceiling or end mounting
- 5 year warranty

**SELF-POWERED MODELS**

- Sealed nickel-cadmium batteries provide 90 minute run-time
- Self-diagnostics standard on battery models


**WET LOCATION, VANDAL RESISTANT LED EXIT**

The Pinnacle Series wet location, vandal resistant, LED exit sign combines an appealing design, the latest in die casting technology and high performance electronics to ensure reliability. Designed to stand up in high abuse areas such as parking garages, correctional facilities, schools, apartment complexes, and public areas that may be subject to vandalism and serious weather. Wet location/IP 65 rated, this exit is suitable for virtually any environment. The Pinnacle comes standard with self-diagnostic testing allowing for years of worry-free operation.


**SELF-DIAGNOSTIC STANDARD ON ALL BATTERY MODELS**

**OPTIONS**

OPTION	DESCRIPTION
PK12	12" pendant
FL	Flasher
BZ	Buzzer
SL	Special lettering
IH	Internal heater (specify voltage)
IR	Infrared remote test switch
ERT	Extended emergency operation

Add suffix to model

**ORDERING INFORMATION**

MODEL	# OF FACES	LETTER COLOR	HOUSING CLR	MOUNTING	STANDARD
WLCX = AC Only	1 =Single	R =Red Letters	B =Black	W = Wall (No Canopy)	SD = Self-Diagnostics
WLPCX = Battery Back-up	2 =Double	G =Green Letters	W =White	C = Ceiling (Factory Installed)	
				E = End (Factory Installed)	

Ordering Example: WLPCX-1-R-B-W-SD-IH277

**VANDAL RESISTANT LED EXIT**

The ROBO Series of LED vandal resistant exit signs is engineered to ensure optimal durability. Designed to stand up to abuse in applications such as schools, public areas, institutions and apartment complexes where vandalism may potentially occur. The 14 gauge steel and polycarbonate faceplate offers extreme protection and superior performance. Tamper-resistant screws ensure the integrity of the unit. The heavy gauge steel construction of the ROBO housing requires that directional chevron arrows must be specified when ordering. The ROBO Series is available configured with high-output LEDs in AC-only and Self-Powered operation versions.



**BENEFITS & FEATURES**

**ALL MODELS**

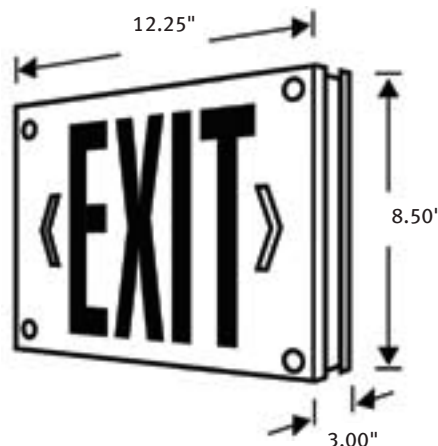
- Vandal resistant
- High-strength 14 gauge steel housing
- Impact-resistant 1/8" thick polycarbonate lens
- Secured with 4 tamperproof screws
- Heavy duty mounting canopy for ceiling and end mount applications (factory installed)
- Long-life LED lamps (Red or Green)
- Bright, even illumination
- Dual voltage 120/277 standard with surge protection
- ETL or CSA listed to UL924 standard

**AC ONLY**

- Total power consumption under 1.1 watts

**SELF-POWERED**

- Total power consumption under 4 watts
- Fully automatic, 90-minute operation
- Solid-state charger with low voltage disconnect
- Premium grade nickel cadmium battery
- AC lockout and brownout protection
- Charge rate/power on LED indicator light
- Push-to-test switch



**ORDERING INFORMATION**

MODEL	# OF FACES	LETTER CLR	MOUNTING	CHEVRON DIRECTION	OPTIONS
RX = AC Only	1 = Single	R = Red	W = Wall (No Canopy)	NC = No Chevrons	SD = Self-Diagnostics
PRX = Battery Back Up	2 = Double	G = Green	C = Ceiling (Factory Installed)	LC = Left Chevron	FL = Flasher
			E = End (Factory Installed)	RC = Right Chevron	BZ = Buzzer
				LR = Left & Right Chevrons	SL = Special Lettering
					DLC = Dual Circuit
					PK12 = 12" Pendant Kit
					ERT = Extended Run Time

Ordering Example: PRX-1-R-C-LC-SD



### BENEFITS & FEATURES

#### ALL MODELS

- Rugged 20 gauge steel housing with baked enamel finish
- Diffused Super-bright LEDs – Red or Green
- Even illumination – no hot spots
- Dual voltage 120/277 standard
- Easy to install
- Eliminates maintenance – no more lamp changes
- Highly energy efficient
- Same compact frame for AC and Self-Powered models
- Universal ceiling, end or surface mount available
- Universal chevron knockouts
- Meets NFPA 101, NEC, OSHA, Energy Star® (Red)
- 5 Year Limited Warranty
- UL listed

#### AC ONLY (SX MODEL)

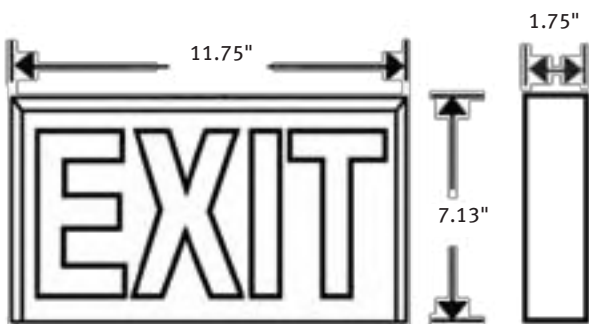
- Total power consumption under 2 watts

#### SELF-POWERED (PSX MODEL)

- Total power consumption under 5 watts
- Sealed maintenance-free nickel cadmium battery
- Solid state charger
- Low voltage disconnect & brownout protection
- LED AC pilot and “Ready” indicator monitors charging status
- Push-to-test switch

### ENERGY STAR® LED EXIT

With appealing designs and dependable performance, the E-Star Series of LED exit signs will accommodate virtually any application. Designed for ease of installation, this versatile exit sign features an all-in-one design that uses the same compact housing for both AC and Battery-Backup models. The LED light source provides years of maintenance-free illumination at a minimal cost.



### ACCESSORIES

ACCESSORY	DESCRIPTION
WG2	Wire Guard
PK12	Pendant Kit - 12"
VRS	Vandal Resistant Shield

Add suffix to model

### ORDERING INFORMATION

MODEL	# OF FACES	COLOR CODE	OPTIONS
SX = AC Only	1 =Single with Canopy	WWR = Red Letters, White Housing	SD = Self-Diagnostics
PSX = Battery Backup	2 =Double with Canopy	WWG = Green Letters, White Housing	DLC = Dual Circuit
	1/2C =Universal (Double Face with Canopy & Back Plate)	BBR = Red Letters, Black Housing	SL = Special Lettering
		BBG = Green Letters, Black Housing	TP = Tamperproof Screws
		(Call for other combinations)	FL = Flasher
			BZ = Buzzer
			ERT = Extended Run Time

Ordering Example: PSX-1-WWR-VRS

**SELF-LUMINOUS EXIT**

The Ever-Green Series of self-luminous exit signs are easy to install, maintenance-free exit signs. Simply mount them into place and forget about them for up to twenty years. There are absolutely no electrical connections, no batteries, no wires, nothing but self-powered luminescent tubes. This environmentally friendly sign uses tritium gas to provide illumination without electricity.

**BENEFITS & FEATURES**

- No electricity, no batteries
- All-plastic high-impact sealed casing, to ANSI N-540 Standard
- Even illumination guaranteed for up to 20 years
- Field selectable chevron arrows
- Eliminates maintenance – no more lamp changes
- Powered by luminescent tubes
- Universal mounting bracket
- UL rated for Class 1, Div. 1 Hazardous Locations
- Meets NFPA-101 Life Safety Code
- Single or double face
- Low first cost, no maintenance
- Letter brightness is a minimum of .12 foot-lamberts
- Suitable for California low level applications
- Waterproof – suitable for wet locations
- Spark-proof & explosion-proof
- Tamperproof and vandal resistant

**CODE COMPLIANCE****ALL MODELS**

- UL Listed
- ETL Listed
- NFPA-101 life safety code
- OSHA 1910-35
- MSHA
- Unified building code
- ANSI N-540

**ACCESSORIES**

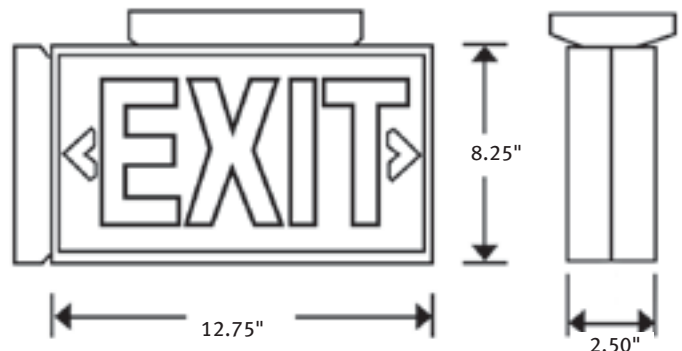
ACCESSORY	DESCRIPTION
PK12	Ceiling Pendant Kit - 12"
WG2	Wire Guard
VRS	Vandal Resistant Shield
IF	Institutional Frame

Add suffix to model

**ORDERING INFORMATION**

MODEL	# OF FACES	LIFE	HOUSING COLOR	FACE COLOR
EGX	1 = Single	10 = 10 Years	B = Black	R = Red
	2 = Double	20 = 20 Years	W = White	G = Green
			O = Other	

Ordering Example: EGX-1-10-B-R-PK12



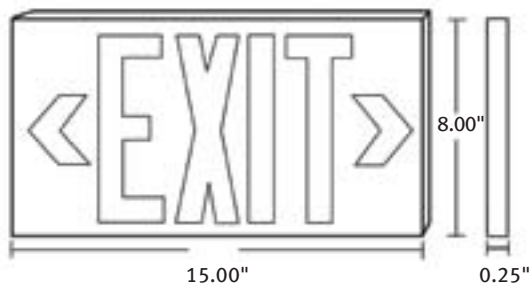


**BENEFITS & FEATURES**

- Consumes no electricity
- 100% reliable, no internal parts to burnout
- Non-toxic, non-radioactive
- Low-cost, easy installation
- Flexible design for surface, flag or ceiling mounting
- Thin, low profile
- Can be used for both high-level and low-level applications
- Consistent, uniform, High Visibility Green illumination
- Removable or field applied chevron arrows for directional indication
- Maintenance-free 25+ years
- Listed to UL 924 through UL®, meets NFPA Life Safety Code 101 and OSHA requirements
- Meets current Building Codes: IBC, ICBO, BOCA and SBCCI, NFPA 5000
- ICC ES report #ER-6040
- California State Fire Marshall listing #6200-1617; 100
- City of Los Angeles Research Report: RR 25531 (CSI #16530)
- Ontario Building Materials Evaluation Commission Authorization Report BMEC # 03-12-291

**PHOTOLUMINESCENT EXIT**

Recent advancements in photoluminescent pigments and compounds have prompted UL to address testing of photoluminescent exit signs to the UL 924 Emergency Lighting and Power Equipment standard. Ever-Brite Exit Signs are listed to UL 924 through UL®. Ever-Brite Exit Signs are NON-TOXIC and NON-RADIOACTIVE. Designed to glow in total darkness, these photoluminescent signs absorb and store energy from ambient fluorescent light. This energy is immediately visible in the event of a blackout or smoky conditions. The main advantage of Ever-Brite Exit Signs is that there are no internal lights to burn out, making these signs 100% reliable and virtually maintenance-free. Our signs are non-electric, consuming no electricity, and installation is easy and low-cost. Because Ever-Brite Exit Signs are explosion-proof, they can be used in sensitive areas requiring explosion-proof exit signs. For more Photoluminescent tapes and accessories, please visit our website at [WWW.MULELIGHTING.COM](http://WWW.MULELIGHTING.COM).


**ORDERING INFORMATION**

MODEL	FACES	HOUSING	MOUNTING	FRAME COLOR
EB	1 = Single	F = Framed	W = Wall Mounted	B = Black
	2 = Double	UG = Unframed Green	MB = Mounting Bracket	R = Red
		UR = Unframed Red		G = Green
				W = White

Ordering Example: EB-1-F-MB-W

**STEEL COMBINATION EXIT**

The Combination Series is the perfect solution to stairwell/corridor egress lighting. The EPX combines a self-powered LED exit sign with two emergency lighting heads, thus eliminating the need for a separate emergency light unit in most applications. The unit powers two DC bulbs in the exit and two or three emergency lamp heads during an emergency. In emergency mode the EPX powers the exit sign plus up to three lighting heads. Heads can be top, side or remotely mounted. Remote capacity is 18 watts (6v).



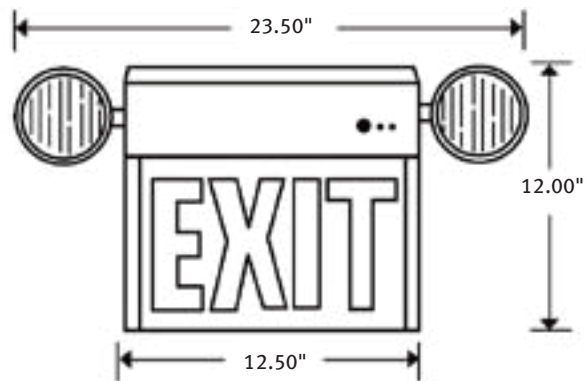
**BENEFITS & FEATURES**

- 20 gauge metal housing with baked enamel finish
- Energy saving LEDs
- Completely self-contained
- 120/277V input standard
- Top, side or remotely mounted heads
- Low voltage disconnect
- Brownout protection
- 100% solid state charger
- Dual LED AC pilot and "READY" indicator monitors charging status
- Push-to-test switch
- Labor saving universal mounting
- Universal chevron knockouts
- Sealed maintenance-free long-life lead calcium battery

**OPTIONS**

OPTION	DESCRIPTION
C	Canopy
SL	Special Lettering
TP	Tamperproof Screws
WG1	Wire Guard
FL	Flasher
BZ	Buzzer
TM	Top Mounted Heads
DR	Damp Rated

Add suffix to model



**ORDERING INFORMATION**

MODEL	# OF FACES	# OF HEADS*	COLOR CODE
EPX	1 = Single	3	WWR = Red Letters, White Housing
	1/2C = Universal (Double face with Canopy & Backplate)	2	WWG = Green Letters, White Housing
		1	BBR = Red Letters, Black Housing
		0	BBG = Green Letters, Black Housing
			(Call for other Combinations)

Ordering Example: EPX-1-2-WWR

\*(Order Remote Heads Separately)

**BENEFITS & FEATURES**

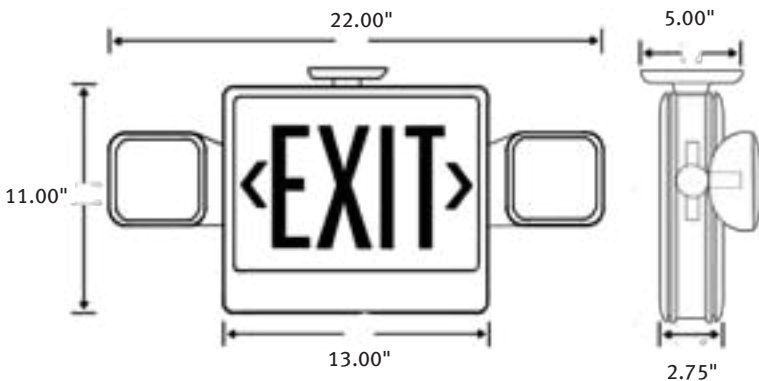
- Universal mounting capability
- Energy-efficient LED exit light source
- 4.4 watts for red letters, 5.9 watts for green letters
- 120/277 standard
- Durable V-0 flame-retardant thermoplastic housing
- Two fully adjustable glare-free light heads
- Remote capability – REM Option
- Universal pop-out chevrons
- Charge/Power LED indicator
- Push-to-test switch
- Solid state charger
- Louvered downlight
- Low profile design
- ETL, UL, and CUL listed
- Meets NFPA Life Safety Code
- Sealed maintenance-free lead calcium batteries
- Rapid installation

**THERMOPLASTIC SQUARE HEAD COMBINATION EXIT**  
 The distinctive Square Lighting Heads integrate visually with the overall exit sign to create the ideal Combination Emergency Exit/Light for commercial and industrial environments. The right choice when economy and flexibility are required.



SQRM-2

SQRM-1



**AVAILABLE WITH KRYPTON LAMPS**

**ACCESSORIES**

ACCESSORY	DESCRIPTION
SQRM-1	Matching Single Remote Head
SQRM-2	Matching Double Remote Head
WG1	Wire Guard
VRS2	Vandal Resistant Shield

Add suffix to model or order separately

**ORDERING INFORMATION**

MODEL	DESCRIPTION	OPTIONS
SQRXU	Red Letters, Single or Double Face with Canopy	BL = Black Housing
SQGXU	Green Letters, Single or Double Face with Canopy	SD = Self-Diagnostics
		REM = Remote Capable
		KL = 5.4 Watt Krypton Lamps

Ordering Example: SQRXU-SD

**ADJUSTABLE THERMOPLASTIC HEADS, COMBINATION EXIT**

The CC model combination exit & emergency unit with Adjustable Heads offers tremendous flexibility. The emergency lighting heads can be rotated from a side-mount configuration to a top-mount configuration in one simple motion. Featuring a durable thermoplastic housing, the CC model incorporates red or green energy efficient, high-brightness LEDs. Ideal for commercial and institutional installations, this truly universal unit comes complete with a mounting canopy, two exit stencil faces and a backplate.

**BENEFITS & FEATURES**

- Universal mounting capability
- Energy-efficient LED exit light source
- 120/277 Standard
- Durable thermoplastic housing
- Remote capability (REM Option)
- Universal pop-out chevrons
- Charge/Power LED indicator
- Push-to-Test switch
- Solid State Charger
- 5.4W Tungsten lamps are standard
- Sealed maintenance-free lead calcium batteries
- 90 Minute emergency operating time
- Damp location rated
- UL listed



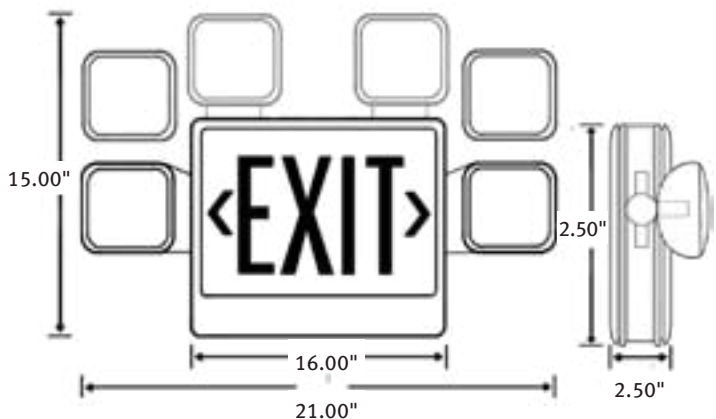
SQRM-2

SQRM-1

**ACCESSORIES**

ACCESSORY	DESCRIPTION
SQRM-1	Matching Single Remote Head
SQRM-2	Matching Double Remote Head
WG1	Wire Guard
VRS2	Vandal Resistant Shield
Remote	Infrared Remote Controller

Add suffix to model or order separately

**ORDERING INFORMATION**

MODEL	LETTER COLOR	NUMBER OF FACES	HOUSING COLOR	OPTIONS
CC	R = Red G = Green	U = Universal	W = White B = Black	SD = Self-Diagnostics IRT = Infrared Remote Test REM = Remote Capability

Ordering Example: CC-R-U-W-SD



**BENEFITS & FEATURES**

- Completely self-contained
- Fully automatic operation
- 90 Minute emergency operation
- Compact, low-profile design
- Injection molded, flame-retardant, high-impact, thermoplastic housing
- Low voltage disconnect
- Dual voltage 120/277
- 6-Volt premium grade, pure lead, maintenance-free battery
- Environmentally coated, solid state charger
- Standard with fully adjustable 5.4 watt, glare-free light heads
- Charge rate/power on LED indicator light
- Push-to-test switch
- Remote capability (SQ-120)
- Damp location rated
- ETL and UL listed

**SQUARE HEAD EMERGENCY LIGHT**

The decorative and efficient Econo-Lite™ Series is ideal for commercial and institutional environments where appearance, ease of installation and low maintenance is desired. The modern, low-profile design of these emergency lighting units facilitates use in limited space applications without sacrificing performance. The universal mounting plate features a labor-saving Quick Connect plug.

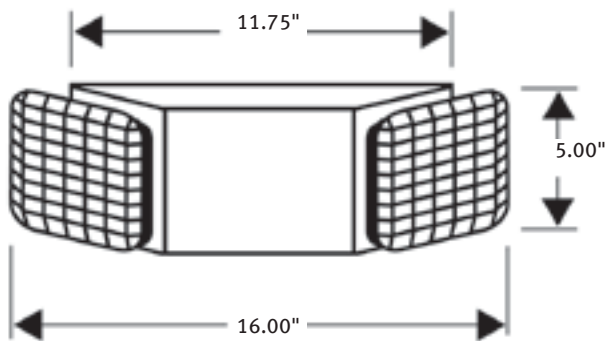


SQRM-2

SQRM-1



AVAILABLE WITH KRYPTON LAMPS



**ACCESSORIES**

ACCESSORY	DESCRIPTION
WG5	Wire Guard
SQRM-1	Matching Single Remote Head
SQRM-2	Matching Double Remote Head
VRS3	Vandal Resistant Shield

Add suffix to model or order separately

**ORDERING INFORMATION**

MODEL	DESCRIPTION	OPTIONS
SQ-80	Two-Headed, Decorative Unit	SD = Self-Diagnostics
SQ-120	Two-Headed, Decorative Unit with Remote Capability	NC = NiCad Battery
		BL = Black Housing
		3CP = 3 Wire Cord
		KL = 5.4 Watt Krypton Lamps

Ordering Example: SQ-80-3CP



**LOW PROFILE EMERGENCY LIGHT**

The Radius Series Emergency Light units meet the design needs of today's specifier. Combining innovative design with reliable solid state electronics, the Radius Series has the look and performance demanded by today's building environment. The unique snap-together construction and easy-to-adjust lamps make this unit easy to install, maintain and service.

**BENEFITS & FEATURES**

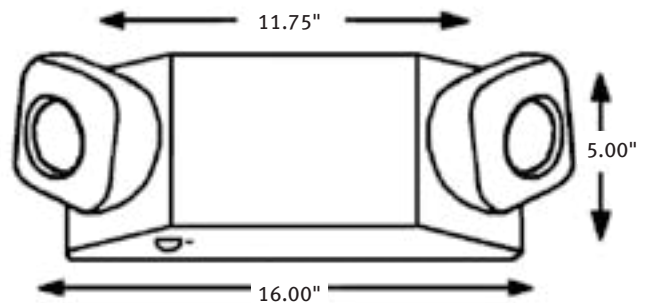
- Low profile, contoured design
- UV stable thermoplastic housing
- Aimable light heads with high output MR16 lamps
- Universal mounting for simple installation
- Dual voltage 120/277 standard
- Sealed maintenance-free lead calcium battery
- Quick snap construction
- Solid state charger
- Automatic, low voltage disconnect
- Charge rate/power on LED indicator
- Push-to-test switch
- Remote capable models available
- Reduced maintenance cost
- Unobtrusive protection
- 90 minute minimum emergency run time
- UL listed



MR-1



MR-2



**ACCESSORIES**

ACCESSORY	DESCRIPTION
WG6	Wire Guard
MR-1	Single Remote Head with Plate
MR-2	Double Remote Head with Plate
VRS3	Vandal Resistant Shield

Add suffix to model or order separately

**ORDERING INFORMATION**

MODEL	WATTS	OPTIONS
MRD	11	SD = Self-Diagnostics
	22	NC = NiCad Battery
		BL = Black Housing

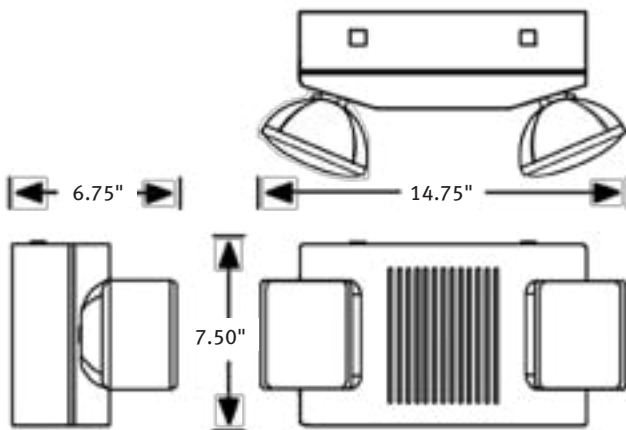
Ordering Example: MRD-22-WG6



**BENEFITS & FEATURES**

- Dual voltage input 120/277 VAC, 60Hz.
- Maintenance free, sealed lead calcium batteries with a maximum full recharge time of 24 hours.
- Low voltage disconnect of the battery prevents deep discharge and maintains battery life.
- Brownout detection circuit will turn on emergency light during low voltage conditions.
- Fully automatic, solid state charger.
- Test switch with LED charge indicator/AC voltage indicator.
- Line latching feature prevents the unit from turning on during installation to a non-energized AC circuit.
- Saves labor since the installer does not have to return to connect the battery terminals once the building is energized
- UV stable thermoplastic housing
- Two attractive square shaped heads with rounded corners are adjustable allowing the end user to direct the light where it will be most useful. Vacuum metalized reflectors increase light output from the heads.
- Universal J box mounting
- UL 924 Listed
- UL Listed for damp location

**ADJUSTABLE THERMOPLASTIC HEAD EMERGENCY LIGHT**  
 The SQ-HO extends the SQ family look with an attractive high wattage emergency light featuring a thermoplastic housing, soft rounded corners and adjustable square heads. Available in 6V and 12V models and up to 54w for powering remote heads.



**ORDERING INFORMATION**

MODEL	VOLTAGE	WATTAGE	HEADS TYPE	OPTIONS
SQHO	6 (volt DC)	27 (6v only)	2 = 2 Heads	SD = Self-Diagnostics
	12 (volt DC)	54 (6v or 12v)	0 = No Heads	NC = NiCad Battery
				BL = Black Housing
				WG6 = Wire Guard
				MR16 = Square MR16 Heads

Ordering Example: SQHO-12-54-2-SD-WG

**HIGH IMPACT, THERMOPLASTIC EMERGENCY LIGHT**

With appealing design and dependable performance, the Lite-Way Series will accommodate virtually any application. These attractive units are complemented by the durability and simplicity of a high-impact thermoplastic housing. When economy and appearance are primary concerns, the Lite-Way Series is the answer.

**SUGGESTED SPECIFICATIONS**

Specify, supply and install Mule Lite-Way Emergency Lighting Series. Units shall be fully automatic, self-contained, maintenance-free and listed to UL 924 standard.

**CIRCUIT DESIGN**

Circuit must include a 120/277-volt dual input transformer, automatic charger with instantaneous transfer, test switch and a long-life LED ready indicator light. The charger shall be current limited, temperature compensated, short-circuit proof and reverse polarity protected. The charger shall recharge the battery to rated capacity per UL Emergency Lighting Standard 924. Electronic controls shall include: Low Battery, Voltage Disconnect, Brownout Protection and Battery Lockout.



**ACCESSORIES**

ACCESSORY	DESCRIPTION
WG5	Wire Guard

Add suffix to model or order separately

**ORDERING INFORMATION**

MODEL	OPTIONS
BKEM-2A	NC = Nickel Cadmium Battery
	HAL = Halogen Lamps
	DL = Damp Location

Ordering Example: BKEM-2A-WG5

**BENEFITS & FEATURES**

- High-impact thermoplastic housing & lampheads
- Hinged metal backplate for easy installation
- Battery lockout circuit
- Low voltage disconnect
- 120/277 volt dual input transformer
- Completely self-contained
- Sealed maintenance-free battery standard
- Test switch & LED ready indicator
- Ceiling or wall mount
- UL listed
- Provides 90 minutes of emergency run time

**BATTERY**

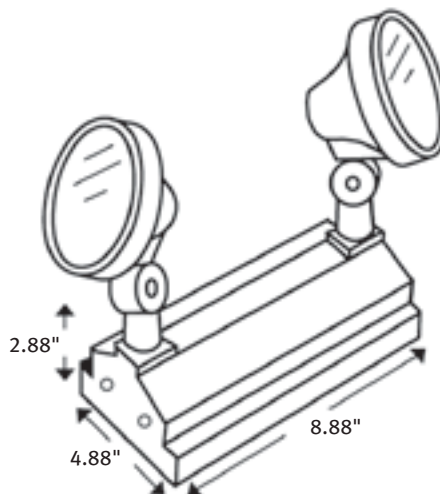
6 volt, maintenance-free and fully UL recognized for the loss of electrolyte through gassing. The battery shall operate by the premise of electrolyte recombination.

**HOUSING, HEADS AND LENS**

The Housing and Heads shall be constructed of high-impact UL recognized thermoplastic. The units shall resist denting, peeling, scratching and corrosion. Lamps shall be high intensity all-glass wedge base type. The Fresnel lens shall be constructed of polycarbonate.

**MOUNTING**

The unit shall be mountable in any orientation, on walls or ceilings. A universal mounting pattern, rear key hole slots only (unit hinges on back plate).



### BENEFITS & FEATURES

- Unique trapezoidal design
- Futuristic, low profile style
- Meets ADA fixture specifications
- Fully automatic solid state charger
- 120/277 volt dual input transformer
- Sealed maintenance-free battery standard
- Completely self-contained
- Test switch & LED ready indicator
- Easy to install, labor saving snap-together housing
- Ceiling or wall mount
- Low voltage disconnect
- Battery lockout circuit
- UL listed
- Provides 90 minutes of emergency run time

### BATTERY

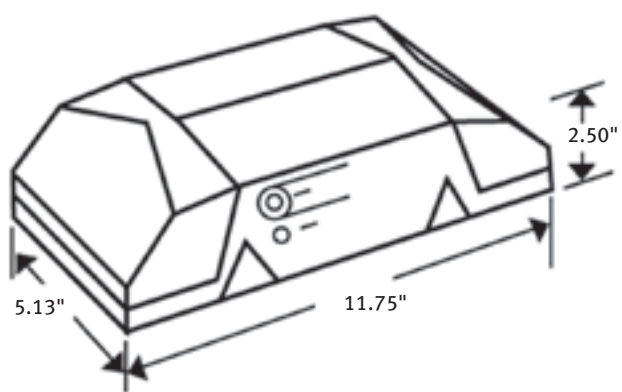
6 volt, maintenance-free and fully UL recognized for the loss of electrolyte through gassing, the battery shall operate by the premise of electrolyte recombination.

### HOUSING AND LENS

The lamp assembly must not protrude beyond the boundary dimensions of the housing. The Housing shall be constructed of high impact UL recognized thermoplastic. The units shall resist denting, peeling, scratching and corrosion. Lamps shall be high intensity all-glass wedge base type. The Fresnel lens shall be constructed of polycarbonate.

### MOUNTING

The unit shall be mountable in any orientation, on walls or ceilings. A universal mounting pattern, rear key hole slots and conduit entry from the top shall be provided.



**CONTEMPORARY, LOW-PROFILE EMERGENCY LIGHT**  
 With a sleek design and dependable performance, the Lite-Way Series will accommodate virtually any application. These attractive units are stylized to enhance safety, yet not intrude upon upscale decors. Unique snap-together design offers easy installation and dependable performance in a low-profile, contemporary design.

### SUGGESTED SPECIFICATIONS

Specify, supply and install Mule Lite-Way Emergency Lighting Series. Units shall be fully automatic, self-contained, maintenance-free and listed to UL 924 standard.

### CIRCUIT DESIGN

Circuit must include a 120/277-volt dual input transformer, automatic charger with instantaneous transfer, test switch and a long-life LED ready indicator light. The charger shall be current limited, temperature compensated, short-circuit proof and reverse polarity protected. The charger shall recharge the battery to rated capacity as per UL Emergency Lighting Standard 924. Electronic controls shall include: Low Battery, Voltage Disconnect, Brownout Protection and Battery Lockout.



### ACCESSORIES

ACCESSORY	DESCRIPTION
WG5	Wire Guard
VRS3	Vandal Resistant Shield

Add suffix to model or order separately

### ORDERING INFORMATION

MODEL	OPTIONS
EM-80	NC = Nickel Cadmium Battery
	BL = Black Housing

Ordering Example: EM-80-WG5

**LOW-PROFILE EMERGENCY LIGHT**

The Recessed Series of low-profile, decorative emergency lighting units combines a contemporary appearance with state-of-the-art electronics. These aesthetically pleasing units are the products of choice where a recessed installation is desired. Ideal for stores, hospitals, offices and school corridors. Units are designed for fast, easy, recessed installation in wall or ceiling.

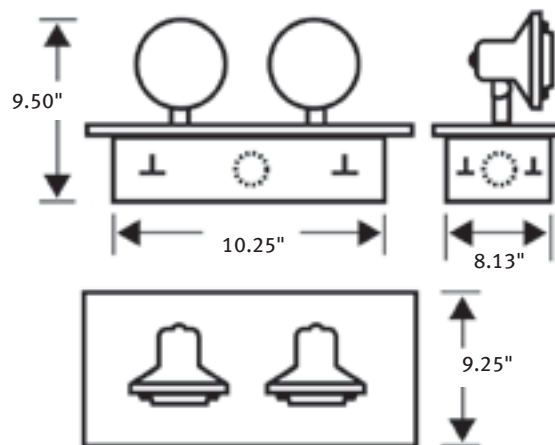
**BENEFITS AND FEATURES**

- Completely self-contained
- Fully automatic, 90-minute operation
- Compact, low profile design
- Low voltage disconnect
- Dual voltage 120/277
- Premium grade, maintenance-free battery
- Provides a minimum emergency duration of 90 minutes
- Environmentally coated, solid state charger
- Standard with two fully adjustable, glare-free lamp heads
- Easy, recessed installation in wall or ceiling
- Housing constructed from durable 20 gauge steel
- Charge rate/power on LED indicator light
- Push-to-test switch
- Certified by ETL or CSA to UL924 standards



**LAMP SELECTION**

TYPE	OPTIONS	WATTS
6V Tungsten	Standard:	9W
	Halogen (H):	8W, 10W, 12W
6V Sealed Beam	Standard (SB):	9W, 12W
	Halogen (SBH):	12W
12V Tungsten	Standard:	9W
	Halogen (H):	12W
12V Sealed Beam	Standard (SB):	12W
	Halogen (SBH):	8W



**ORDERING INFORMATION**

MODEL	VOLTAGE	WATTS	HEAD TYPE	LAMP TYPE	OPTIONS
REL	6 (volt DC)	18 (6v)	2 = Two Heads	See Lamp Selector	SD = Self-Diagnostics
	12 (volt DC)	27 (6v)	0 = No Heads		NC = NiCad Battery
		36 (6v, 12v)			TD = Time Delay (Specify Volt)
		54 (6v, 12v)			MRB = MR16 Bullet Heads
					PREM = Premium Package.
					Includes: SD, NC, TD, & MRB

Ordering Example: REL-6-27-2-6VSB-9W-SD

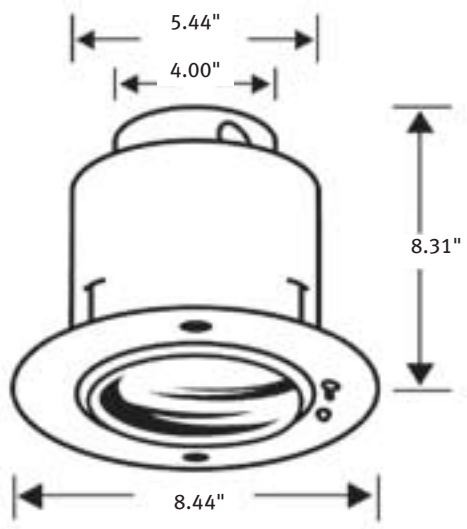


**BENEFITS AND FEATURES**

- Completely self-contained
- Fully automatic, 90-minute operation
- Low profile design
- All metal housing and gimbal assembly
- Matte white baked enamel finish
- High-output 6 volt, 8 watt halogen lamp
- Lamp adjusts in two planes to 26°
- Automatic battery protection (LVD)
- Dual voltage 120/277 input
- Premium grade, maintenance-free battery
- Surge protection
- Environmentally coated, solid state charger
- Charge rate/power on LED indicator light
- Push-to-test switch
- Easily installed
- Suitable for use in air-handling plenums
- Certified by ETL or CSA to UL924 standards

**GIMBAL EMERGENCY LIGHT**

The Recessed Series of low-profile, decorative emergency lighting units combines a contemporary appearance with state-of-the-art electronics. These aesthetically pleasing units are the products of choice where a recessed installation is desired. The gimbal mounted lamp provides directional aiming and blends inconspicuously with existing recessed installations. Ideal for stores, hospitals, offices and school corridors.


**ORDERING INFORMATION**

MODEL	DESCRIPTION
RG-80	Recessed Gimbal Emergency Light
RRG	Remote Recessed Gimbal Fixture

Ordering Example: RG-80



FULLY RECESSED ARCHITECTURAL EMERGENCY LIGHT



BENEFITS & FEATURES

- Following AC power failure, cover doors open instantly and provide emergency lighting to area required, with automatic retraction when AC power is restored.
- Cover doors may be color matched, textured, or even wall-papered to match any interior finish. When closed in normal mode, the unit is almost invisible.
- Universal Wall or Ceiling mount.
- Doors are operated automatically using a spring and solenoid with magnetic latch for years of worry-free operation.
- Flush fitting covers feature internal reflective surfaces to maximize light output.
- No unauthorized access to lamp heads prevents tampering.

LIGHTING

- Dual MR16 Quartz Halogen lamps available in 20,35,50, or 75 W.
- Lamps have a life of up to 5,000 hours, most installations will never require replacement.
- Swivel mounted lamps are fully adjustable and lock into the desired position.

ELECTRONICS

- Universal AC input 120/277 VAC.
- Low power consumption in standby mode.
- Isolated switch mode power supply with regulated current and voltage output to lamp load and battery.
- Automatic, controlled charge rate for fast charged and maximum battery life.

AUTOMATIC BATTERY DIAGNOSTICS

- Advanced microprocessor continuously monitors all charger functions and battery condition.
- Automatically performs all tests and visual indications as required by UL 924.
- Multi-color LED diagnostic display.
- Optional full-function alpha-numeric display (remote test panel).
- UL 924, N.E.C., OSHA, N.F.P.A. Life Safety Code 101.

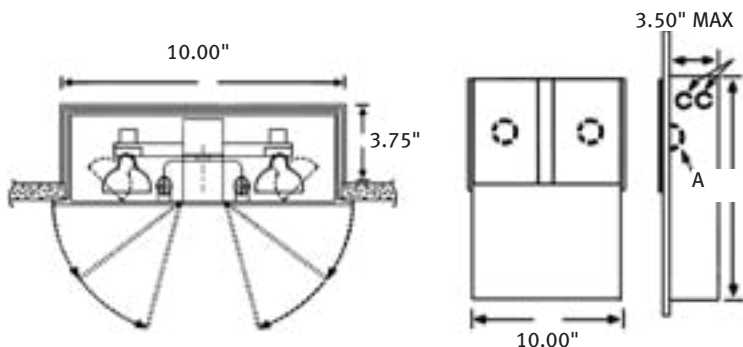
BATTERY RUN TIMES

LAMP WATTS	RUN TIME (HRS)	BATTERY TYPE	BACKBOX HEIGHT "A"
20	1.5 - 4.0	WB	15.5"
20	1.5 - 4.0	NC	15.5"
35	1.5 - 2.0	WB	15.5"
35	4.0	WB	23.0"
35	1.5 - 4.0	NM	15.5"
35	1.5 - 4.0	NC	15.5"
50	1.5 - 2.0	WB	15.5"
50	2.0 - 4.0	WB	23.0"
50	1.5	NC	15.5"
50	2.0	NM	15.5"
75	1.5 - 2.0	WB	23.0"
75	1.5	NM	15.5"

OPTIONS

OPTION	DESCRIPTION
RB	Remote Battery
RTP	Remote Test Panel
DR	Damp Location Rated
SM	Surface Mounted

Add suffix to model



ORDERING INFORMATION

MODEL	LAMP WATTAGE	BATTERY TYPE	BATTERY RUN TIME	COLOR
CVT	20	WB = Sealed Lead Calcium	0 = 90 Minutes	BK = Black
	35	NC = Nickel Cadmium	2 = 2 Hours	WH = White
	50	NM = Nickel Metal Hydride	4 = 4 Hours	
	75			

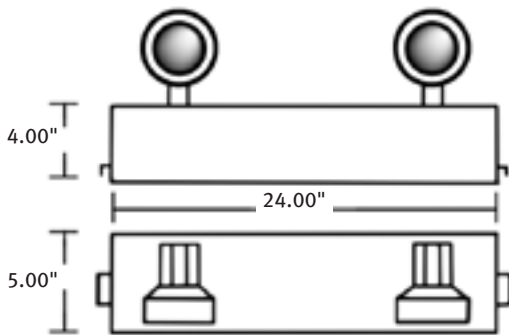
Ordering Example: CVT-35-NC-0-WH

**BENEFITS & FEATURES**

- Completely self-contained
- Sealed maintenance-free lead calcium batteries (calcium or pure lead)
- Provides a minimum emergency duration of 90 minutes
- 120/277 volt selectable input
- Low voltage disconnect
- Brownout protection
- 100% solid state charger
- Sealed relay
- Push-to-test switch
- LED indicator light
- Simplified drop-in mounting
- Matte white finish standard
- Certified by ETL or CSA to UL924 standards

**RECESSED T-BAR EMERGENCY LIGHT**

The C Series Emergency Light unit is easy to install and unobtrusive. This recessed fixture is designed for use in drop-panel ceilings and blends in to make it ideal for office and restaurant environments. Perfect for locations where there is limited wall space and where the greater directional flexibility of ceiling mounted heads is necessary to provide a wider light distribution.


**LAMP SELECTION**

TYPE	OPTIONS	WATTS
<b>6V</b> Tungsten	Standard:	9W
	Halogen ( <b>H</b> ):	8W, 10W, 12W, 20W
<b>6V</b> Sealed Beam	Standard ( <b>SB</b> ):	9W, 12W, 18W
	Halogen ( <b>SBH</b> ):	12W, 20W
<b>12V</b> Tungsten	Standard:	9W, 18W
	Halogen ( <b>H</b> ):	8W, 12W, 20W, 35W
<b>12V</b> Sealed Beam	Standard ( <b>SB</b> ):	12W, 18W
	Halogen ( <b>SBH</b> ):	8W

**ORDERING INFORMATION**

MODEL	VOLTAGE	WATTS	HEAD TYPE	LAMP TYPE	OPTIONS
C	6 (volt DC)	27 (6v)	2 = Two Heads	See Lamp Selector	SD = Self-Diagnostics
	12 (volt DC)	36 (6v, 12v)	0 = No Heads		NC = NiCad Battery
		54 (6v, 12v)			V = Voltmeter
		100 (6v, 12v)			TD = Time Delay (Specify Volt)
					MRB = MR16 Bullet Heads

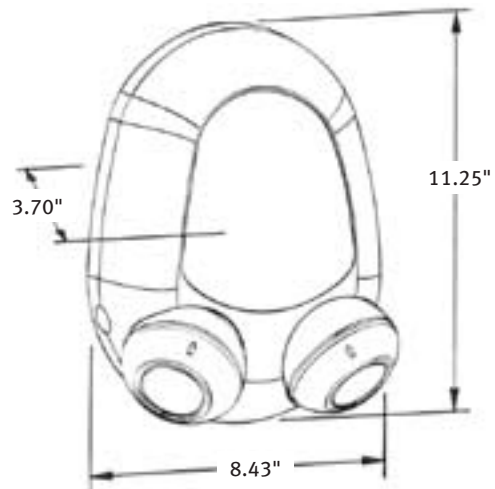
Ordering Example: C-12-36-2-12VSB-18W-TD120

**LOW PROFILE EMERGENCY LIGHTS**

The Stylus Series Emergency Light units meet the design needs of today's specifier. Combining innovative design with reliable solid state electronics, the Stylus Series has the look and performance demanded by today's building environment. The unique snap-together construction and easy-to-adjust lamps make this unit easy to install, maintain and service.

**INCANDESCENT LAMP FEATURED****MR16 HALOGEN LAMP FEATURED****BENEFITS & FEATURES**

- Low profile, contoured design
- UV stable thermoplastic housing
- Aimable light heads with high output lamps
- Universal mounting for simple installation
- Dual voltage 120/277 standard
- Sealed maintenance-free lead calcium battery
- Quick snap construction
- Solid state charger
- Automatic, low voltage disconnect
- Charge rate/power on LED indicator
- Push-to-test switch
- Remote capable models available
- Reduced maintenance cost
- Unobtrusive protection
- 90 minute minimum emergency run time
- UL listed

**ORDERING INFORMATION**

MODEL	VOLTAGE	WATTS	OPTIONS
ST	6 (Volt DC)	12 (6V)	MR16 = MR16 Lamps
	12 (Volt DC)	36 (6V, 12V)	SD = Self-Diagnostics

Ordering Example: ST-6-12-MR16

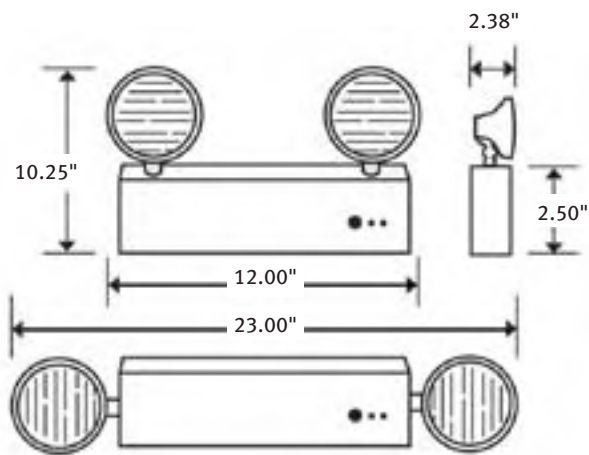


### BENEFITS & FEATURES

- Completely self-contained
- Sealed maintenance-free lead calcium batteries
- Provides a minimum emergency duration of 90 minutes
- 120/277 volt selectable input
- Low voltage disconnect
- Brownout protection
- 100% solid state charger
- Solid state relay
- Fully adjustable non-slip, high impact 94V-0, thermoplastic heads
- Dual LED AC pilot and "READY" indicators
- Push-to-test switch
- Labor saving universal mounting
- 20 gauge metal housing with white baked enamel finish
- Remote capability on larger models
- UL Listed

### CONTEMPORARY EMERGENCY LIGHT

Compact and contemporary, the EC Series Emergency Light unit is designed for ease of installation and economy. The rugged steel housing and white baked enamel finish gives this series both industrial strength and an attractive appearance. The EC family of emergency lights are ideally suited for commercial and institutional facilities where appearance and durability are primary concerns. Available with remote capability.



### LAMP SELECTION

TYPE	OPTIONS	WATTS
6V Tungsten	Standard:	7.2W, 9W
	Halogen (H):	8W, 10W, 12W
6V Sealed Beam	Standard (SB):	9W, 12W
	Halogen (SBH):	12W
12V Tungsten	Standard:	9W, 18W
	Halogen (H):	8W, 12W
12V Sealed Beam	Standard (SB):	12W, 18W
	Halogen (SBH):	8W

### ORDERING INFORMATION

MODEL	VOLTAGE	WATTS	HEAD TYPE	LAMP TYPE	OPTIONS
EC	6 (volt DC)	8 (6v)	2 = Double PAR 36 0 = No Heads	See Lamp Selector	SD = Self Diagnostics
		18 (6v)			NC = NiCad Batteries
	12 (volt DC)	27 (6v)	V = Voltmeter		
		36 (6v, 12v)	S = Side Mounted Heads BL = Black Housing WG = Wire Guard		

Ordering Example: EC-6-18-2-6VH-9W-BL



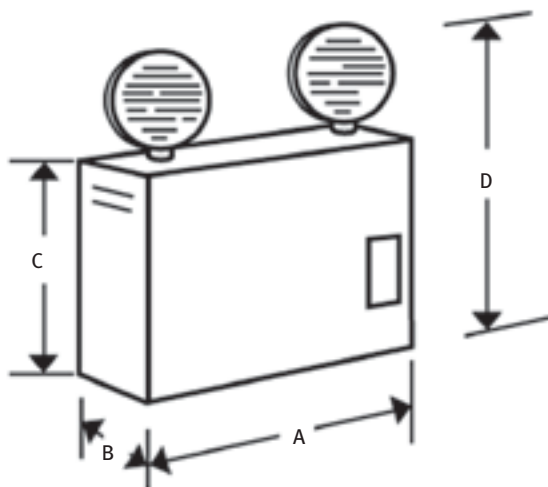
**REMOTE CAPABILITY EMERGENCY LIGHT**

The MFC Series is ideal for individual applications where durability and reliability are prime concerns. With several styles, voltages and wattages available, the MFC Series can be used as a stand-alone fixture or in conjunction with remote heads to form an integrated system.



**BENEFITS & FEATURES**

- Requires fewer units to complete the job
- Sealed maintenance-free lead calcium batteries
- Provides a minimum emergency duration of 90 minutes
- 120/277 Volt Selectable input
- Low voltage disconnect
- Brownout protection
- 3 rate solid state charger
- High current capacity relay
- Push-to-test switch
- LED indicators
- AC & charge indicators
- 20 gauge metal housing with neutral white baked enamel finish
- Corrosion resistant
- Remote capability for all models
- Several lamp selections
- High impact 94V-0, thermoplastic, fully adjustable non-slip heads



**LAMP SELECTION**

TYPE	OPTIONS	WATTS
6V Tungsten	Standard:	9W
	Halogen (H):	8W, 10W, 12W, 20W
6V Sealed Beam	Standard (SB):	9W, 12W, 18W
	Halogen (SBH):	12W, 20W
12V Tungsten	Standard:	9W, 18W
	Halogen (H):	8W, 12W, 20W, 35W, 55W
12V Sealed Beam	Standard (SB):	12W, 18W
	Halogen (SBH):	8W
24V Tungsten	Standard:	9W, 18W, 24W
	Halogen (H):	20W, 70W

**DIMENSIONS**

MODEL	WEIGHT (LBS.)	DIMENSIONS (INCHES)			
		A	B	C	D
MFC-50/-100	33	12.37	5.75	9.00	14.50
MFC-150/-400	45	16.25	8.00	11.25	16.75
MFC-500	71	26.25	8.00	11.25	16.75

**ORDERING INFORMATION**

MODEL	VOLTAGE	WATTS	HEAD TYPE	LAMP TYPE	OPTIONS	
MFC	6 (volt DC)	50 (6v, 12v)	2 = Double PAR 36	See Lamp Selector	SD = Self Diagnostics	
	12 (volt DC)	100 (6v, 12v)	0 = No Heads		V = Voltmeter	
	24 (volt DC)	150 (6v, 12v)				A = Ammeter
		200 (6v, 12v, 24v)				TD = Time Delay (Specify Volt)
		300 (6v, 12v, 24v)				ERT = Extended Run Time
		400 (12v)				BL = Black Housing
	500 (12v)			WG = Wire Guard		
					3CP = Cord Set	

Ordering Example: MFC-12-200-2-12VSB-18W-SD

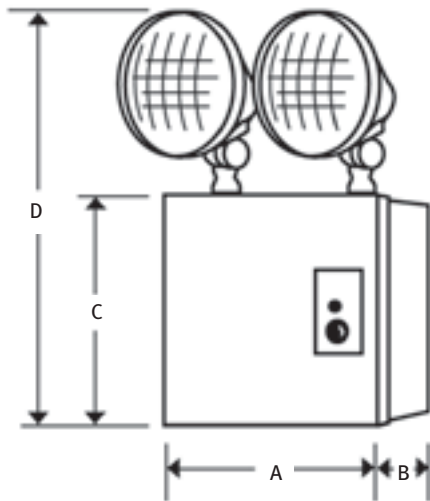


### BENEFITS & FEATURES

- Completely self-contained
- Sealed maintenance-free lead calcium batteries
- Provides a minimum emergency duration of 90 minutes
- Rugged steel housing with white baked enamel finish
- 120/277 volt selectable input
- Remote capability on larger models
- Low voltage disconnect
- Brownout protection
- Universal mounting
- 100% solid state charger
- Sealed relay
- Fully adjustable, non-slip, high impact 94V-0, thermo-plastic heads
- LED AC pilot and "READY" indicators
- Push-to-test switch
- Several lamp selections
- Available with 3 lamp heads

### DURABLE EMERGENCY LIGHT

Compact and conventional, the LX Series emergency light units are ideal for commercial applications and designed for ease of installation and economy. The rugged steel housing and white baked enamel finish give the LX Series both industrial strength and an attractive appearance. This series is available in several voltages and wattages.



### DIMENSIONS

WATTAGE	DIMENSIONS (INCHES)			
	A	B	C	D
18W-27W	10.12	3.62	7.75	14.25
36W-100W	12.25	3.62	7.75	14.25

### LAMP SELECTION

TYPE	OPTIONS	WATTS
6V Tungsten	Standard:	7.2W, 9W
	Halogen (H):	8W, 10W, 12W
6V Sealed Beam	Standard (SB):	9W, 12W
	Halogen (SBH):	12W
12V Tungsten	Standard:	9W, 18W
	Halogen (H):	8W, 12W, 20W, 35W
12V Sealed Beam	Standard (SB):	12W, 18W
	Halogen (SBH):	8W

### ORDERING INFORMATION

MODEL	VOLTAGE	WATTS	HEAD TYPE	LAMP TYPE	OPTIONS
LX	6 (volt DC)	18 (6v)	3 = Triple PAR 36	See Lamp Selector	SD = Self Diagnostics NC = NiCad Batteries V = Voltmeter A = Ammeter TD = Time Delay (Specify Volt) ERT = Extended Run Time BL = Black Housing WG = Wire Guard 3CP = Cord Set
		27 (6v)	2 = Double PAR 36		
	36 (6v, 12v)	0 = No Heads			
	54 (6v, 12v)				
	75 (6v, 12v)				
	100 (6v, 12v)				

Ordering Example: LX-12-100-2-12VSBH-8W-SD

**REMOTE CAPABILITY EMERGENCY LIGHT**

The KES Series of commercial/industrial emergency lighting units combines a contemporary appearance with state-of-the-art electronics. The KES is an effective, functional unit, available with high capacity maintenance-free batteries for environments requiring remote capability or extended operating times.

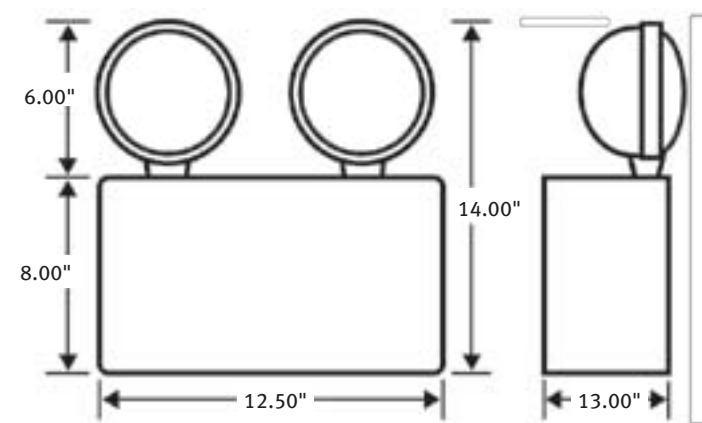


**BENEFITS & FEATURES**

- Completely self-contained
- Fully automatic, 90-minute operation minimum
- Low voltage disconnect
- Dual voltage 120/277 with surge-protected circuitry
- Premium grade, maintenance-free battery
- Provides a minimum emergency duration of 90 minutes
- Environmentally coated, solid state charger
- AC lockout and brownout protection
- Standard with two fully adjustable, glare-free lamp heads
- Durable housing with neutral finish
- Charge rate/power on LED indicator light
- Push-to-test switch
- Damp Location
- UL listed

**LAMP SELECTION**

TYPE	OPTIONS	WATTS
6V Tungsten	Standard:	7.2W, 9W
	Halogen (H):	8W, 10W, 12W
6V Sealed Beam	Standard (SB):	9W, 12W
	Halogen (SBH):	12W
12V Tungsten	Standard:	9W, 18W
	Halogen (H):	8W, 12W
12V Sealed Beam	Standard (SB):	12W, 18W
	Halogen (SBH):	8W



**ORDERING INFORMATION**

MODEL	VOLTAGE	WATTS	# OF HEADS	OPTIONS
KES	6 (volt DC)	27 (6V)	2 = Double PAR 36	SD = Self-Diagnostics
	12 (volt DC)	36 (6V, 12V)	0 = No Heads	NC = NiCad Battery
		54 (6V, 12V)		V = Voltmeter
		72 (6V, 12V)		A = Ammeter
		100 (6V, 12V)		TD = Time Delay (Specify Volts)
				WG = Wire Guard

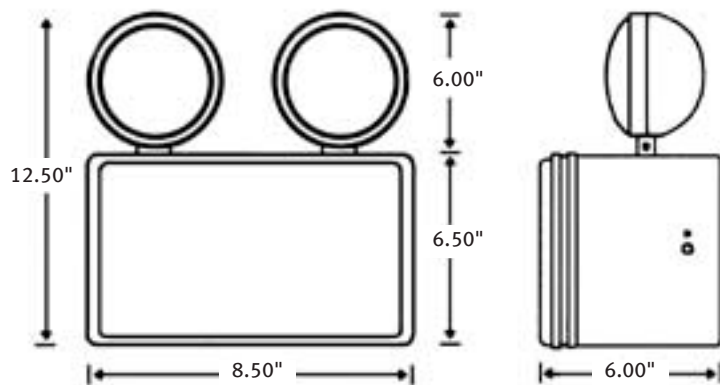
Ordering Example: KES-12-54-2-12VH-18W-WG

**BENEFITS & FEATURES**

- ABS, corrosion resistant UV Stabilized enclosure.
- Dual 120 or 277 VAC input, field selectable.
- Automatic brownout feature.
- Solid-state charging circuit.
- Solid-state line-latched low voltage disconnect provides 100% load disconnect protection to guard against battery deep discharge.
- Short circuit and overload protection on DC output circuit.
- Sealed momentary test switch.
- Sealed AC ready light.
- Sealed and gasketed housing with hinged cover
- Integral breather vent
- Extended mounting brackets for simple wall mounting
- Sealed and gasketed weatherproof lighting heads with tempered glass lenses
- Listed for wet location applications (0°C-40°C)
- Supplied with 6V, 7.2W Lamps
- Provides a minimum emergency duration of 90 minutes
- Certified by ETL or CSA to UL 924 standards.

**WET LOCATION EMERGENCY LIGHT**

The WLEM featuring an enclosure which is ideal for wet locations, resistant to corrosive atmospheres, non-hazardous dust environments and to water spray, splashing water, or where hose downs frequently occur.


**ORDERING INFORMATION**

MODEL	VOLTAGE	WATTS	HEADS	OPTIONS
WLEM	6 (volt DC)	18	2 = Double PAR 36	SD = Self-Diagnostics
		27	0 = No Heads	NC = NiCad Battery

Ordering Example: WLEM-6-27-2-SD

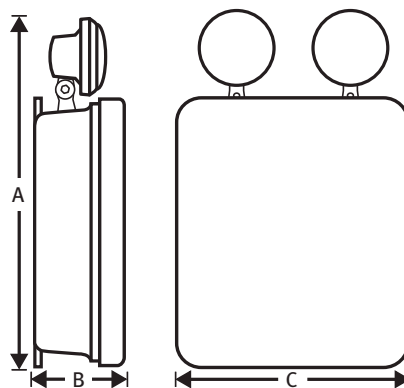
**WET LOCATION EMERGENCY LIGHT**

The NEMA 4X Series is ideal for use in industrial facilities with harsh or corrosive environments, where a sealed and gasketed maintenance-free unit, with oil-, water-, and dust-tight construction, is required. The NEMA 4X Series is available in 6 or 12 volts and a wide range of wattages.



**BENEFITS & FEATURES**

- NEMA 4X rating
- Sealed and gasketed construction
- Reinforced fiberglass housing with gray epoxy finish
- Lamp terminals, heads & swivels are sealed with construction grade RTV silicon
- Sealed maintenance-free lead calcium batteries
- Provides a minimum emergency duration of 90 minutes
- Universal 120/277V selectable input
- Low voltage disconnect
- Brownout and short circuit protection
- Pulse switching charger
- Push-to-test switch
- Dual Diagnostic LED display
- High impact 94V-0, thermoplastic fully adjustable non-slip heads
- Provided with pre-drilled mounting flanges for wall or column mounting
- Certified by ETL or CSA to UL924 standards



**LAMP SELECTION**

TYPE	OPTIONS	WATTS
6V Tungsten	Standard:	9W
	Halogen (H):	8W, 10W, 12W, 20W
6V Sealed Beam	Standard (SB):	9W, 12W, 18W
	Halogen (SBH):	12W, 20W
12V Tungsten	Standard:	9W, 18W
	Halogen (H):	8W, 12W, 20W, 35W, 50W
12V Sealed Beam	Standard (SB):	12W, 18W
	Halogen (SBH):	8W

**DIMENSIONS**

WATTAGE	DIMENSIONS (INCHES)		
	A	B	C
18W-27W	8	5	6
36W	8	4	10
54W-100W	12	5	10
200W	14	6	12
300W	16	6	14
400W	18	6	16

**ORDERING INFORMATION**

MODEL	VOLTAGE	WATTS	HEAD TYPE	LAMP TYPE	OPTIONS
NM4	6 (volt DC)	18 (6V)	2 = Double PAR 36	See Lamp Selector	SD = Self Diagnostics
	12 (volt DC)	27 (6V)	0 = No Heads		NC = NiCad Battery
		36 (6V, 12V)			V = Voltmeter
		54 (6V, 12V)			A = Ammeter
		75 (6V, 12V)			TD = Time Delay (Specify Volt)
		100 (6V, 12V)			FP = Food Prep Lens
		200 (12V)			IH = Internal Heater (Specify Volt)
		300 (12V)			WG = Wire Guard
		400 (12V)			

Ordering Example: NM4-12-100-2-12VSB-18W-IH277

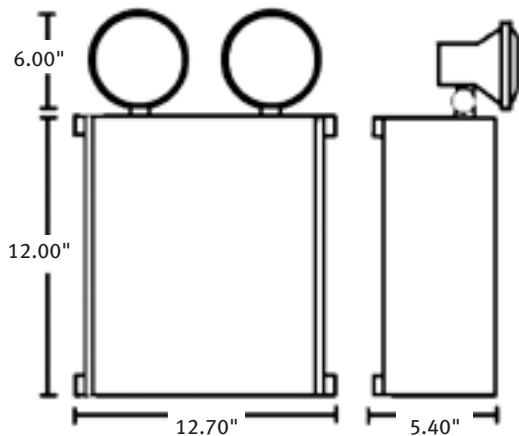


**BENEFITS & FEATURES**

- NEMA12X rating
- 20 gauge steel cabinet.
- Fully gasketed and hinged front access panel to allow trouble-free installation and maintenance
- Industrial grey powder coat finish is standard
- PAR36 top mounted heads
- Magnum terminal connectors allow for larger gauge wires
- Integral mounting feet for positive and secure installations
- Suitable for wall, ceiling, and pendant mounting
- Pulse switching charger
- Low voltage disconnect
- Brownout and short circuit protection
- Dual diagnostic LED display indicates AC/ON and High Charge
- External push-to-test button
- Designed with maintenance-free, sealed valve regulated lead acid battery
- Provides a minimum emergency duration of 90 minutes
- Certified by ETL or CSA to UL924 standards

**DURABLE STEEL EMERGENCY LIGHT**

The NEMA 12 series of industrial emergency lighting units are designed for durability and dependability. The NEMA 12 gasketed steel housing can be used in areas that generate dust, lint, fibers, dripping water and condensation. The NEMA 12 is designed with the PulseGuard pulse switching charger. The PulseGuard offers superior performance and energy efficiency versus conventional constant voltage chargers. Traditional top mounted PAR 36 style heads are standard.


**LAMP SELECTION**

TYPE	OPTIONS	WATTS
<b>6V Tungsten</b>	Standard:	9W
	Halogen (H):	8W, 10W, 12W, 20W
<b>6V Sealed Beam</b>	Standard (SB):	9W, 12W, 18W
	Halogen (SBH):	12W, 20W
<b>12V Tungsten</b>	Standard	9W, 18W
	Halogen (H):	8W, 12W, 20W, 35W
<b>12V Sealed Beam</b>	Standard (SB):	12W, 18W
	Halogen (SBH):	8W

**ORDERING INFORMATION**

MODEL	DC VOLTAGE	CAPACITY	HEADS TYPE	LAMP TYPE	OPTIONS
JC	6	27 (6v)	2 = Double PAR 36	See Lamp Selector	SD = Self-Diagnostics
	12	36 (6v, 12v)	0 = No Heads		NC = NiCad Battery
		54 (6v, 12v)			V = Voltmeter
		72 (6v, 12v)			A = Ammeter
		100 (6v, 12v)			TD = Time Delay (Specify Volt)
					TP = Tamperproof Screws
					FP = Food Prep Lens
					MH = Metal Heads PAR 36
					IH = Internal Heater (Specify Volt)
					3CP = Cord Set

Ordering Example: JC-6-54-2-6VSB-9W-NC

**WET LOCATION EMERGENCY LIGHT**

The Exterior Series are very reliable emergency lighting fixtures that are ideal for exposed locations such as corridors and walkways. Perfect for commercial and institutional environments where appearance, ease of installation and low maintenance are desired. The attractive housings are suitable for damp and wet locations.

**BENEFITS & FEATURES**

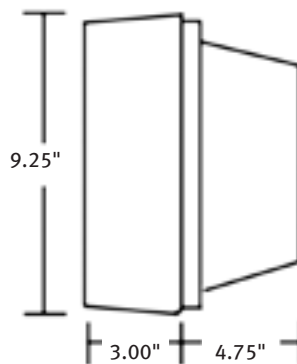
- Impact resistant polycarbonate housings
- Two housing styles available
- Available in black, white or bronze
- Choice of clear or opal lens
- Illuminated with compact fluorescent lamps
- Fully automatic, 90-minute operation
- Low voltage disconnect
- Surge protected
- Premium grade maintenance-free battery
- Environmentally coated, solid state charger
- AC indicator lamp
- Test switch
- Suitable for wet and damp locations
- Tempered marine grade Aluminum base plate
- NFPA 70 and NFPA 101 compliant
- UL Listed



EXEM1



EXEM2



**ORDERING INFORMATION**

MODEL	LENS TYPE	HOUSING COLOR	WATTS/LAMP	VOLTS	OPTIONS
EXEM1	C = Clear Prism	BL = Black	9PL	120	TPS=Tamper proof Screws
EXEM2	O = Opal	WH = White	13QD	277	FH=Fuse and Holder
		BZ = Bronze	2-9PL		EM=(1 or 2 Lamps Luminaire)* **
					EMO=(1 Lamp Luminaire)*
					EMO1=(2 Lamp Luminaire) ***
					CT=Conduit Connection on Top
					CB=Conduit Connection on Bottom

Ordering Example: EXEM1-C-BZ-9PL-120-EM

\* One lamp operates during emergency

\*\* All lamps operate during normal conditions

\*\*\* One lamp operates during emergency and one during normal operating conditions

**REMOTE FIXTURES**

The first step is to select the style, voltage and wattage of exterior remote fixture desired for the application. The following chart lists normally-off remote fixtures that may be used in damp or wet locations. Please consult the Remote Heads and Fixtures page for other lamp types and additional voltage/wattage configurations.



**EXTERIOR PATH OF EGRESS SOLUTIONS**

Traditional emergency lighting and exit signs were primarily focused on guiding occupants to the exits of a building. Today, an additional focus is being placed on getting occupants to an exit safely and then down a path of safety once they are out of the building.

This is a quick and easy guide to selecting compatible fixtures for the new requirement for emergency lighting on the exterior for each path of egress. Either normally-on or normally-off fixtures can provide exit discharge illumination. However, this guide will only cover normally-off remote fixtures. The units featured here are typically the most economical solution. However, other units are available as an exit discharge emergency lighting solution. Please contact your Mule representative or the factory directly for additional information.

All battery units listed here are for indoor installation only while the remote heads are listed for wet location use. Remember that the voltage of the head (s) and battery unit must match and the total wattage cannot exceed the rated wattage of the battery unit.

**REMOTE FIXTURES - ORDERING INFORMATION**

MODEL	DESCRIPTION	VOLTAGE	TOTAL WATTAGE
GWP-1-6V-7.2W	Single PAR 36, Weatherproof, Gray	6 Volts	7.2 Watts
GWP-2-6V-7.2W	Double PAR 36, Weatherproof, Gray	6 Volts	14.4 Watts
GWP-1-12V-18W	Single PAR 36, Weatherproof, Gray	12 Volts	18 Watts
GWP-2-12V-18W	Double PAR 36, Weatherproof, Gray	12 Volts	36 Watts
H-1-6V-7.2W-WP	Single PAR 36, Weatherproof, White	6 Volts	7.2 Watts
H-2-6V-7.2W-WP	Double PAR 36, Weatherproof, White	6 Volts	14.4 Watts
H-1-12V-18W-WP	Single PAR 36, Weatherproof, White	12 Volts	18 Watts
H-2-12V-18W-WP	Double PAR 36, Weatherproof, White	12 Volts	36 Watts

**BATTERY UNITS**

Once the classification of an environment is determined and the remote fixtures have been chosen, the next step is to determine which power sources will operate the remote fixtures from a normal or controlled environment. If a facility utilizes unit equipment for its emergency lighting, the option of running the exit discharge remote(s) off of those units should be considered. By utilizing the chart below, select which

unit(s) will work best for the application. If the facility is not utilizing unit equipment for its emergency lighting, the exit discharge remote(s) can be powered by special exit signs that are placed above any door leading to the exit discharge. Two such remote capable exits are featured in the chart below.



**BATTERY UNITS - ORDERING INFORMATION**

MODEL	DESCRIPTION	VOLTAGE	TOTAL WATTAGE
SQ-120	Commercial/Light Industrial	6 Volts	22 Watts
SQHO-6-54-2	Commercial/Light Industrial	6 Volts	54 Watts
SQHO-12-54-2	Commercial/Light Industrial	12 Volts	54 Watts
MXBRU-REM	Commercial/Light Industrial	6 Volts	11 Watts
SQRXU-REM	Commercial/Light Industrial	6 Volts	25 Watts



## H SERIES

## PAR 36 LARGE STYLE EMERGENCY REMOTE - THERMOPLASTIC

## LAMP SELECTION

TYPE	6 VOLT	12 VOLT	24 VOLT
Standard	7.2W, 9W	9W, 18W	9W, 18W, 24W
Halogen (H)	8W, 10W, 12W, 20W	6W, 8W, 12W, 20W, 35W, 50W	20W, 70W
Sealed Beam Standard (SB)	8W, 9W, 12W, 18W, 25W	8W, 12W, 18W, 25W	
Sealed Beam Halogen (SBH)	12W, 20W	8W	

## ORDERING INFORMATION

MODEL	HEADS	VOLTAGE/WATTAGE	OPTIONS
H	1 = Single 2 = Double	See Lamp Selection	LM = Less Mounting Plate WP = Weatherproof TC = Teflon Coated Lens BL = Black Housing

Ordering Example: H-2-6VSB-12W

Note: heads come standard with matching mounting plate



## GWP SERIES

## WEATHERPROOF PAR 36 LARGE STYLE EMERGENCY REMOTE - GRAY THERMOPLASTIC

## LAMP SELECTION

TYPE	6 VOLT	12 VOLT	24 VOLT
Standard	7.2W, 9W	9W, 18W	9W, 18W, 24W
Halogen (H)	8W, 10W, 12W, 20W	6W, 8W, 12W, 20W, 35W, 50W	20W, 70W
Sealed Beam Standard (SB)	8W, 9W, 12W, 18W, 25W	8W, 12W, 18W, 25W	
Sealed Beam Halogen (SBH)	12W, 20W	8W	

## ORDERING INFORMATION

MODEL	HEADS	VOLTAGE/WATTAGE	OPTIONS
GWP	1 = Single 2 = Double	See Lamp Selection	LM = Less Mounting Plate

Ordering Example: GWP-1-12VSBH-8W

Note: heads come standard with matching mounting plate



## HM SERIES

### METAL PAR 36 LARGE STYLE EMERGENCY REMOTE

#### LAMP SELECTION

TYPE	6 VOLT	12 VOLT	24 VOLT
Standard	7.2W, 9W	9W, 18W	9W, 18W, 24W
Halogen (H)	8W, 10W, 12W, 20W	6W, 8W, 12W, 20W, 35W, 50W	20W, 70W
Sealed Beam Standard (SB)	8W, 9W, 12W, 18W, 25W	8W, 12W, 18W, 25W	
Sealed Beam Halogen (SBH)	12W, 20W	8W	

#### ORDERING INFORMATION

MODEL	HEADS	VOLTAGE/WATTAGE	OPTIONS
HM	1 = Single 2 = Double	See Lamp Selection	LM = Less Mounting Plate CC = Custom Color TC = Teflon Coated Lens

Ordering Example: HM-1-6V-9W

Note: heads come standard with matching mounting plate



## SQRM SERIES

### SQUARE EMERGENCY REMOTE - THERMOPLASTIC

AVAILABLE WITH KRYPTON LAMPS

#### LAMP SELECTION

TYPE	6 VOLT	12 VOLT
Standard:	5W, 9W	7.2W, 12W

#### ORDERING INFORMATION

MODEL	HEADS	VOLTAGE/WATTAGE	OPTIONS
SQRM	1 = Single 2 = Double	See Lamp Selection	LM = Less Mounting Plate KL = 5.4 Watt Krypton Lamps

Ordering Example: SQRM-2-6V-5W

Note: heads come standard with matching mounting plate





MR SERIES  
MR16 EMERGENCY REMOTE - THERMOPLASTIC

**LAMP SELECTION**

TYPE	6 VOLT	12 VOLT
Standard	5W, 10W	5W, 10W

**ORDERING INFORMATION**

MODEL	HEADS	VOLTAGE/WATTAGE	OPTIONS
MR	1 = Single 2 = Double	See Lamp Selection	LM = Less Mounting Plate

Ordering Example: MR-1-12V-10W  
Note: heads come standard with matching mounting plate



MRB SERIES  
MR16 BULLET EMERGENCY REMOTE - DIE CAST

**LAMP SELECTION**

TYPE	6 VOLT	12 VOLT
Standard	5W, 10W	5W, 10W, 20W, 50W

**ORDERING INFORMATION**

MODEL	HEADS	VOLTAGE/WATTAGE	OPTIONS
MRB	1 = Single 2 = Double	See Lamp Selection	LM = Less Mounting Plate

Ordering Example: MRB-1-6V-5W  
Note: heads come standard with matching mounting plate



**RRG SERIES**  
**RECESSED EMERGENCY REMOTE**

**LAMP SELECTION**

TYPE	6 VOLT	12 VOLT	24 VOLT
Standard	7.2W, 9W	9W, 18W	9W, 18W, 24W
Halogen (H)	8W, 10W, 12W, 20W	6W, 8W, 12W, 20W, 35W, 50W	20W, 70W
Sealed Beam Standard (SB)	8W, 9W, 12W, 18W, 25W	8W, 12W, 18W, 25W	
Sealed Beam Halogen (SBH)	12W, 20W	8W	

**ORDERING INFORMATION**

MODEL	VOLTAGE/WATTAGE	OPTIONS
RRG	See Lamp Selection	DL = Damp Location (Sealed Beam Required) TC = Teflon Coated Lens

Ordering Example: RRG-12VH-20W  
 Note: heads come standard with matching mounting plate



**CRL SERIES**  
**CONTEMPORARY EMERGENCY REMOTE**

**LAMP SELECTION**

TYPE	6 VOLT	12 VOLT
Standard	6W, 7W, 9W	9W, 12W, 18W

**ORDERING INFORMATION**

MODEL	HEADS	VOLTAGE/WATTAGE	OPTIONS
CRL	1 = Single 2 = Double	See Lamp Selection	G = Gasketed for Outdoor Use

Ordering Example: CRL-1-12V-9W-G  
 Note: heads come standard with matching mounting plate

**WIRE GUARDS**

Chrome plated, 0.150" diameter, steel Wire Guards protect exit signs and emergency lights from flying objects and random acts of vandalism. Wires are spaced 2.5" apart making it easy to access fixtures to perform periodic testing. Ideal for use in gymnasiums and any area where protection from flying objects is necessary.

**WIRE GUARD ORDERING INFORMATION**

MODEL	APPLICATION	WIDTH	HEIGHT	DEPTH
WG1	Combination Units	17	17	7
WG2	Wall Mount Exits	14	10	4.5
WG3	Ceiling Mount Exits	14.5	6	10.5
WG5	Small Cabinet Battery Units	15	14	6
WG6	Medium Cabinet Battery Units	20	17	9
WG7	Large Cabinet Battery Units	28	21	10
WG8	Single Remote Heads	8	6	8
WG9	Double Remote Heads	12	9	9
WG10	Ceiling Mounted Combination Units	13.5	12	16.5

**VANDAL RESISTANT SHIELDS**

Clear polycarbonate Vandal Shields provide an extra level of protection from flying objects and vandalism without obscuring the visibility of exit signs or inhibiting the performance of emergency lights. Ideal for use in schools, gymnasiums and other areas where the unit requires protection from flying objects or areas prone to vandalism.

**VANDAL RESISTANT SHIELD ORDERING INFORMATION**

MODEL	APPLICATION	WIDTH	HEIGHT	DEPTH
VRS1	Wall Mounted Plastic or Tritium Exits	13	8	2.75
VRS2	SQ Combination Units	30.5	15	7
VRS3	SQ-80 Units	18	7.5	5



## OPERATION

When AC power fails, the emergency ballast automatically switches to emergency mode, operating either one or two lamps. When AC power is restored the unit automatically recharges the battery. Provides 90–120 minutes of emergency run time.

## INSTALLATION

Emergency ballasts do not affect normal fixture operation and may be used with either a switched or unswitched fixture. In switched fixtures, an unswitched lead is required. Installation not recommended where ambient ballast channel temperature may fall below 0°C.

## BATTERY

Special high temperature long-life, maintenance-free, sealed nickel cadmium batteries are standard.

## FLUORESCENT EMERGENCY BALLASTS

These emergency ballasts convert new or existing fluorescent fixtures (including twin tube and quad compact) into emergency lights. Emergency ballasts consist of a high-temperature nickel cadmium battery, charger and electronic circuitry in a small case. A charge indicator light and test switch are provided.



## ORDERING INFORMATION

MODEL	LUMENS	# OF LAMPS OPERATED	LAMP SIZE	LAMP TYPES	RECHARGE TIME	INPUT VOLTAGE	INPUT WATTAGE	DIMENSIONS (INCHES)
<b>STANDARD LAMP MODELS</b>								
MF40-30	3000	1 or 2	2'-8'	T8, T10, T12, U-Shaped Circline, HO, VHO	24 Hrs	120/277	8	16.3 x 5.5 x 1.7
MF40-50	1400	1 or 2	2'-8'	T8, T10, T12, U-Shaped Circline, HO, VHO	24 Hrs	120/277	4	13.3 x 2.3 x 1.5
MF40-50-SD	1400	1 or 2	2'-8'	T8, T10, T12 U-Shaped Circline, HO, VHO	24 Hrs	120/277	4	13.3 x 2.3 x 1.5
MF40-70	700	1 or 2	2'-4'	T8, T10, T12 U-Shaped Circline HO, VHO	24 Hrs	120/277	3.5	9.4 x 2.4 x 1.5
MF40-100	500	1	2'-8'	T8, T10, T12, U-Shaped Circline HO, VHO	24 Hrs	120/277	3.5	9.4 x 2.4 x 1.5
MF40-LP600	1325	1 or 2	2'-4'	T5 HO	24 Hrs	120/277	3	21.5 x 1.18 x 1.18
MF40-LP500	520	1	2'-4'	T5	24 Hrs	120/277	3.5	18.5 x 1.18 x 1.00
<b>COMPACT LAMP MODELS</b>								
MF40-PL	650	1	10-26W	(2-pin) Quad or Triple Twin Tube	24 Hrs	120/277	3.5	9.4x2.4x1.5
MF40-PLQ	750	1 or 2	13-42W	(4-pin) Twin, Quad or Triple Twin Tube	24 Hrs	120/277	3.5	9.4x2.4x1.5

Ordering Example: MF40-50

## STEEL LED EXIT AND COMBINATION EXIT

### NY-SX & NY-PSX

The New York Approved NY-SX and NY-EPX models are ideal for applications that require the durability of metal construction in an economical package. All NYX Series signs include a second faceplate for universal single/double face applications and canopy for universal top, end, or back mounting.



### NY-EPX

The New York Approved NY-EPX model offers unsurpassed value in an aesthetically pleasing design. All NY-EPX model signs include 3 emergency lighting heads.



### BENEFITS & FEATURES

- Rugged, heavy duty 20-gauge die-formed steel construction
- Universal mounting pattern knockouts in backplate for back mounting
- Second faceplate included for double face applications
- 8" letters with 1" stroke width
- Chevron directional indicator knockouts
- Corrosion-resistant polyester powder coat paint
- Dual voltage 120/277VAC
- Maintenance-free 3.6V nickel cadmium battery (battery backup version)

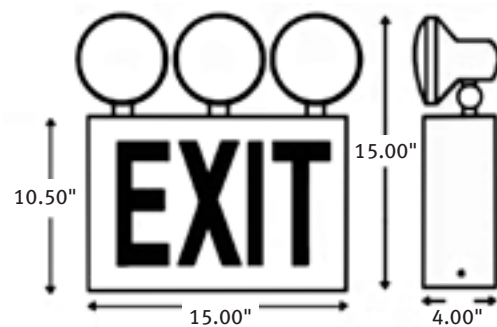
### CODE COMPLIANCE FOR ALL UNITS

- UL Listed
- NFPA 101 Life Safety Code compliant
- NEC and OSHA compliant
- Energy Star qualified (AC only version)
- New York City Approved
- Calendar No. 46932



### BENEFITS & FEATURES

- Includes three lighting heads, combining exit signage with the emergency lighting function for a convenient, comprehensive solution
- Rugged, heavy duty 20-gauge die formed steel construction
- Lighting heads made from high impact thermoplastic
- Universal mounting pattern knockouts in backplate for back mounting
- 8" letters with 1" stroke width
- Chevron directional indicator knockouts
- Includes three 6V, 12W lighting heads
- Heads are fully adjustable for comprehensive lighting coverage
- Maintenance-free 6V sealed lead acid battery
- Dual voltage 120/277 VAC



### ORDERING INFORMATION

MODEL	DESCRIPTION
NY-SX-1/2C-WWR	Steel LED Exit, Universal Single/Double Face, AC-Only
NY-PSX-1/2C-WWR	Steel LED Exit, Universal Single/Double Face, with Battery Backup
NY-EPX-1/2C-WWR	Steel COMBO LED Exit and Emergency Lights

Ordering Example: NY-PSX-1/2C-WWR



## BENEFITS & FEATURES

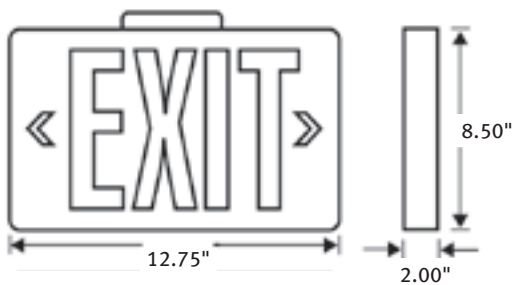
- Architectural-grade, die cast aluminum housing and faceplate
- Includes die cast aluminum canopy for top or end mounting
- Universal mounting pattern knockouts for J-box mounting
- Pre-drilled canopy attachment locations with easily removed hole covers
- Integral wiring channels
- Gently curved faceplate snaps into housing without tools
- Second faceplate included to field-convert from single to double face
- 8" letters with 1" stroke width
- Full-size, 3/4" wide chevron directional indicators are field selectable
- Standard Self-Test and Self-Diagnostics (battery backup version only)
- Dual voltage 120/277VAC
- Maintenance-free 4.8V sealed, nickel cadmium battery (battery backup version)

## CODE COMPLIANCE

- UL Listed
- NFPA 101 Life Safety Code compliant
- NEC and OSHA compliant
- Energy Star qualified
- New York City Approved

## DIE CAST ALUMINUM LED EXIT

The New York Approved NY Meridian Series is ideal for applications that require the durability of metal construction in an economical package. All NY Meridian Series signs include a second faceplate for universal single/double face applications and canopy for universal top, end, or back mounting.



## ORDERING INFORMATION

MODEL	OPERATION	NUMBER OF FACES	LETTER COLOR	FINISH
NYMD	A = AC Only B = Battery Backup	U = Universal Single/Double Face	R = Red	BA = Black w/ Brushed Aluminum BB = Black WH = White

Ordering Example: NYMD-B-U-R-BA

**EDGE-LIT LED EXIT SIGN**

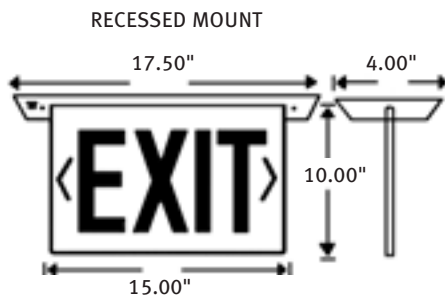
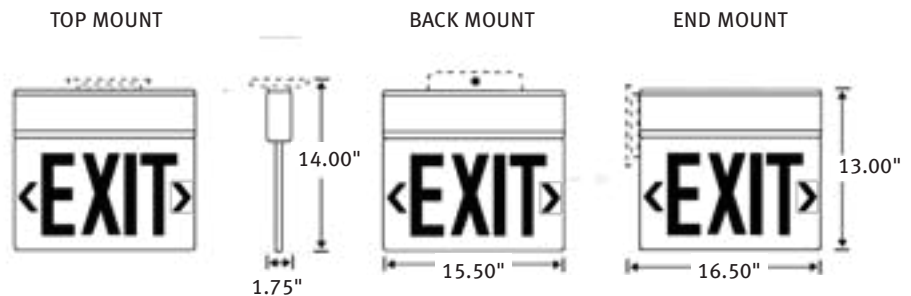
The New York Approved NY Precision Series is the most uncomplicated edge-lit sign to specify. This sign offers precise engineering for architectural excellence.

**BENEFITS & FEATURES**

- Crystal clear acrylic face panel
- Mirrored divider provided on double face signs to simulate clear aesthetic
- Extruded aluminum housing
- Surface Mount includes die cast aluminum canopy for top, back or end mounting
- Pre-drilled canopy attachment locations with easily removed hole covers
- 8" letters with 1" stroke width
- Full-size, chevron directional indicators
- Field-applied chevron directional indicators with pre-applied installation template
- Dual voltage 120/277VAC
- Maintenance-free 6V sealed lead calcium battery (battery backup version)

**CODE COMPLIANCE**

- UL Listed
- NFPA 101 Life Safety Code compliant
- NEC and OSHA compliant
- New York City Approved
- Calendar No. 46932
- Energy Star qualified

**RECESSED DIMENSIONS****SURFACE MOUNT DIMENSIONS****ORDERING INFORMATION**

MODEL	# OF FACES	OPERATION	MOUNTING	COLOR
NYELX	1 = Single	A = AC Only	U = Universal Surface Mount	BA = Brushed Aluminum
	2 = Double	B = Battery Backup	R = Recessed Mount	BL = Black
				WH = White

Ordering Example: NYELX-2-A-U-WH

**BENEFITS & FEATURES**

- Rugged, heavy duty design
- Durable 20 gauge steel housing
- High Impact Thermoplastic lighting heads
- Dual voltage 120/277VAC
- Solid state charging and switching
- Brownout protection
- Battery Low Voltage disconnect
- Overload and short circuit protection
- AC power indicator and test switch
- Maintenance-free 6V or 12V sealed lead calcium battery
- Supplied with 9W incandescent wedge base lamps

**CODE COMPLIANCE**

- UL Listed
- NFPA 101 Life Safety Code compliant
- NEC and OSHA compliant
- New York City Approved
- Calendar No. 46932

**6 & 12 VOLT EMERGENCY OPERATION LIGHT**

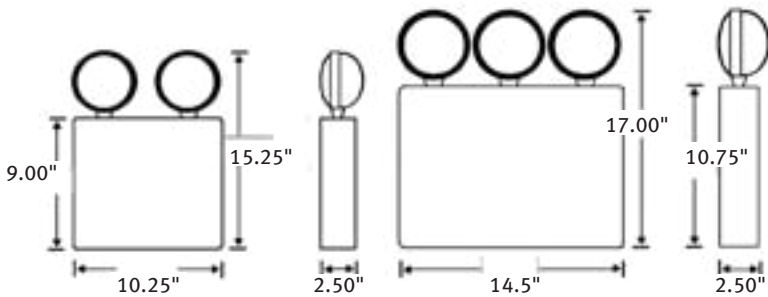
The NY-LX Series New York Emergency Lights are designed for efficiency and ease of installation. Their rugged design meets New York City standards and provides dependable operation. These units are completely self contained and fully automatic.



NY-LX-18-2



NY-LX-27-3 & NY-LX-50-3



NY-LX-18-2

NY-LX-27-3 & NY-LX-50-3

**ORDERING INFORMATION**

MODEL	DESCRIPTION
NY-LX-18-2	6 Volt, 18 Watt Indoor Emergency Unit, Two 9 Watt Heads
NY-LX-27-3	6 Volt, 27 Watt Indoor Emergency Unit, Three 9 Watt Heads
NY-LX-50-3	12 Volt, 50 Watt Indoor Emergency Unit, Three 12 Watt Heads

Ordering Example: NY-LX-27-3

Using the latest in LED technology, these units utilize Super-bright, wide viewing angle LEDs to ensure easy readability, even in direct sunlight. These architecturally appealing traffic controllers can lower your maintenance costs and reduce your energy costs by 90% while increasing performance. The TCL Series will endure in high vibratory conditions where other light sources are prone to failure. Consider virtually no maintenance for 100,000+ hours, (equivalent to 11.5 years at 24 hours a day usage), even in the most extreme conditions.

LEDs allow us to superimpose your messages, thereby reducing the required size of your sign cabinet. For example, an OPEN/CLOSED OR ATM OPEN/CLOSED message sign can now be reduced to one half of its original size. Signs are available in single faced or "double faced" (messages on both side.) Custom messages are always available without the associated "custom" price.



### BENEFITS & FEATURES

- Construction: One Piece Extruded Aluminum Frame
- Cabinet Depth: 2.5
- Light Source: Direct-View LED
- Finish: Standard Duranodic Bronze; optional finishes, including color matching, available upon request.
- Installation Method: Easy to install "Lift 'n Shift" wall mount included; Post; Ceiling, 30°/45° Angle Mounts and Recessed Frame are available options.
- Electrical: 6 Watts @120 VAC
- Standard Voltage: 120 VAC
- Optional Voltages: 12 VDC, 24 VDC; other DC Voltages available; optional Universal AC Input 90 - 277 VAC

### POWER SUPPLY FEATURES

- Regulated output ensures proper brightness levels.
- Continuous closed loop monitoring of key operational parameters.
- Transient surge suppression that protects the sign from noise, static and surges.
- Continual temperature monitoring to prevent LED's from overheating.
- Up to 4 messages can be powered from a single supply.
- Optional multiple flashing, sequencing and rates are available.
- Optional serial interface for controlling signs (Standard RS-232; Optional RS422, RS485 available).
- Optional photocell for low light level dimming.



### FRAME SIZE CHART

FRAME #	SIZE	FRAME #	SIZE
77	7" H x 7" W	1616	16"H x 16"W
718	7"H x 18"W	1818	18"H x 18"W
726	7"H x 26"W	2118	21"H x 18"W
734	7"H x 34"W	2126	21"H x 26"W
742	7"H x 42"W	2134	21"H x 34"W
1026	10"H x 26"W	2142	21"H x 42"W
1212	12"H x 12"W	2222	22"H x 22"W
1418	14"H x 18"W	2424	24"H x 24"W
1426	14"H x 26"W	2818	28"H x 18"W
1436	14"H x 36"W	2826	28"H x 26"W
1442	14"H x 42"W	2842	28"H x 42"W
		3030	30"H x 30"W



## DIRECT VIEW BREAKAWAY



- 1 "Lift 'n shift" back panel
- 2 Single piece aluminum frame
- 3 Solid state power supply (mounted to back of circuit board)
- 4 Led circuit board
- 5 Protective face panel



## ACCESSORIES

ACCESSORY	DESCRIPTION
RFM	Recessed Frame Mount
SG	Single Gang Control Switch
DG	Double Gang Control Switch
TG	Triple Gang Control Switch
FG	Four Gang Control Switch
FVG	Five Gang Control Switch
SXG	Six Gang Control Switch
SVG	Seven Gang Control Switch
EG	Eight Gang Control Switch
NG	Nine Gang Control Switch

## ORDERING INFORMATION

MODEL	FRAME SIZE	LETTER COLOR	MESSAGE
TCL	See Chart	G = Green	100 = OPEN/CLOSED
		R = Red	120 = ATM ONLY
		A = Amber	121 = ATM LANE
		B = Blue	125 = ATM
		W = White	130 = DO NOT ENTER
			150 = COMMERCIAL
			175 = X/DOWN ARROW
			185 = ENTER
			190 = EXIT
			195 = IN USE
			271 = X-RAY IN USE
			YM = CUSTOM*

Ordering Example: TCL-718-G-185-TG  
 \*CONTACT FACTORY FOR CUSTOM LEGENDS



Using our slim-line aluminum extrusion frames, these signs can be placed on an interior wall with very little protrusion. Units are backlit by LED circuit boards that emit light through a stencil cut vinyl panel covered by a tinted protective face. Units are available in a variety of colors including red, green, amber and blue. These signs have virtually no maintenance and use very little power.



## BENEFITS & FEATURES

- 100,000 Hours or more Life Expectancy
- Optional Photo Dimming
- Optional Flashing
- Optional Double Face
- 5 Year Warranty

## SPECIFICATIONS

- Construction: Extruded Aluminum Frame
- Cabinet Depth: 3"
- Light Source: Backlit LED
- Finish: Standard Duranodic Bronze; optional finishes and color matching available upon request.
- Installation Method: Easy to install "Lift 'n Shift" wall mount is included; Post, Ceiling and 30° / 45° Angle Mounts are available options.
- Electrical: 18 Watts @ 120 VAC\*
- Standard Voltage: 120 VAC
- Optional Voltages: 12V, 24V

\* (Based on average OPEN / CLOSED Message)

## FRAME SIZE CHART

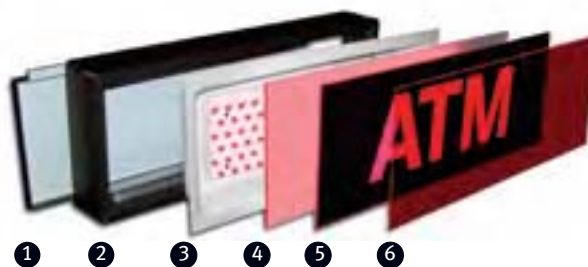
FRAME #	SIZE
77	7"H x 7"W
718	7"H x 18"W
726	7"H x 26"W
734	7"H x 34"W
742	7"H x 42"W
1026	10"H x 26"W
1212	12"H x 12"W
1418	14"H x 18"W
1426	14"H x 26"W
1818	18"H x 18"W

## ACCESSORIES

ACCESSORY	DESCRIPTION
RFM	Recessed Frame Mount
SG	Single Gang Control Switch
DG	Double Gang Control Switch
TG	Triple Gang Control Switch
FG	Four Gang Control Switch
FVG	Five Gang Control Switch
SXG	Six Gang Control Switch
SVG	Seven Gang Control Switch
EG	Eight Gang Control Switch
NG	Nine Gang Control Switch



### DIRECT VIEW BREAKAWAY



- 1 "Lift 'n Shift" back panel
- 2 Single Piece Aluminum Frame
- 3 Diffusion Panel
- 4 Protective Colored Panel
- 5 Message Face Panel
- 6 LED Circuit Board Tray

### ORDERING INFORMATION

MODEL	FRAME SIZE	LETTER COLOR	MESSAGE
BLB	See Chart	G = Green	100 = Open/Closed
		R = Red	120 = Atm Only
		A = Amber	121 = ATM Lane
		B = Blue	125 = ATM
		W = White	130 = Do Not Enter
			150 = Commercial
			175 = X/Down Arrow
			185 = Enter
			190 = Exit
			195 = In Use
			271 = X-Ray In Use
			Ym = Custom*

Ordering Example: BLB-726-R-195

\*CONTACT FACTORY FOR CUSTOM LEGENDS

**FAST TRANSFER/THREE PHASE 16,700 VA TO 50,000 VA**  
 A 3-phase, on-line uninterruptible power system for the emergency operation of incandescent, magnetic and electronic ballast fluorescent and high intensity discharge (HID) lamp types. The total solution for all lighting applications.



**BENEFITS & FEATURES**

**INVERTER**

- Design: Stand-By UPS. Pulse Width Modulated (PWM) utilizing IGBT technology with no transfer time.
- Control Panel: On/off key operated switch. System test switch.
- Metering: Digital Input & Output Voltage, Battery Voltage, Battery & Output Current, Output VA.
- Alarms: Optional High/Low Battery Charger Fault, Near Low Battery, Low Battery, Load Reduction Fault, Output Overload, High/Low AC Input Volts, High Ambient Temperature, Inverter Fault, Output Fault.
- Communications: Optional RS-232 port.
- Alarm Contacts: Optional Summary Form "C" Contacts.
- Warranty: 1 Year Standard Warranty includes all parts, labor, & travel expenses within 48 contiguous states. Up to 10 years prorated warranty on batteries. Extended warranties, preventative maintenance and customized service plans are available.
- Factory Start-up: Required for warranty.

**BATTERY**

- Type: Valve-regulated sealed lead-calcium.
- Charger: Automatic internal diagnostic indicators. One LED indicator for Float mode and another for high charge mode.
- 24-hour recharge.
- Protection: Automatic low-battery disconnect; auto-restart upon utility return.
- Discharge Cycle: 90 minutes at full load with fully charged batteries.

**PHYSICAL**

- Freestanding NEMA Type 1  
 Dimensions:  
 8000 VA-16700 VA      30"W x 47"H x 25"D  
 24000 VA-50000 VA    44"W x 72"H x 31"D  
 Access: Front

**BATTERY CABINET:**

Systems require external battery cabinets as follows:

8000 VA	1 Battery Cabinet	24000 VA	1 Battery Cabinet
10000 VA	2 Battery Cabinets	33000 VA	2 Battery Cabinets
12500 VA	2 Battery Cabinets	40000 VA	2 Battery Cabinets
16700 VA	2 Battery Cabinets	50000 VA	2 Battery Cabinets

**ORDERING INFORMATION**

MODEL	VA RATING	VOLTAGE IN	VOLTAGE OUT	OPTIONS
3FT = 3-Phase System	8000	120-208	120-208	OCB = Output Circuit Breakers*
	10000	277-480	277-480	ERT = Extended Run Time (Consult Factory)
	12500			FMC = Summary Form "C" Contacts
	16700			AT = Automatic Test via RS232 Microprocessor
	24000			EMB = External Maintenance Bypass
	33000			BEX = Battery Exerciser
	40000			CFA = Charger Failure Alarm
	50000			OMA = Output Monitor Alarm

Ordering Example: 3FT-16700-120-208-OCB6-BEX

\*SPECIFY NUMBER OF CIRCUIT BREAKERS



## BENEFITS & FEATURES

### INVERTER

- Design: Stand-By UPS. Pulse Width Modulated (PWM) utilizing IGBT technology with no transfer time.
- Generator Input: Compatible with generators.
- Control Panel: Microprocessor controlled 2 x 20-character display with touch pad controls & functions.
- 5 LED indicators & alarm with ring-back feature.
- Metering: Input & Output Voltage, Battery Voltage, Battery & Output Current, Output VA.
- Output Current, Output VA, Temperature, Wattage.
- Alarms: High/Low Battery Charger Fault, Near Low Battery, Low Battery, Load Reduction Fault, Output Overload, High/Low AC Input Volts, High Ambient Temperature, Inverter Fault, Output Fault.
- Communications: RS-232 port (DB9).
- Alarm Contacts: Optional Summary Form "C" Contacts.
- Warranty: 1 Year Standard includes all parts, labor, & travel expenses within 48 contiguous states. Up to 10 years prorated warranty on batteries. Extended warranties, preventative maintenance and customized service plans are available.
- Factory Start-up: Purchase factory start-up and receive 1 additional year of warranty.
- Battery Type: Valve-regulated sealed lead-calcium.
- Charger: Microprocessor controlled and temperature compensated. 24-hour battery recharge standard.
- Protection: Automatic low-battery disconnect; auto-restart upon utility return.
- Disconnect: Fuse
- Discharge Cycle: 90 minutes at full load with fully charged batteries.

### PHYSICAL

- Freestanding NEMA Type 1
- 30"W x 46 H" x 22"D
- Cooling : Forced Air during emergency model
- Cable Entry: Top or Side
- Access: Front

**FAST TRANSFER/SINGLE PHASE 1,500 VA TO 16,700 VA**  
 An on-line uninterruptible power system for the emergency operation of incandescent, magnetic and electronic ballast fluorescent and high intensity discharge (HID) lamp types. The total solution for all lighting applications.



### BATTERY CABINET:

- Systems 4800 VA and below are self-contained while larger systems require external battery cabinets as follows:

6000 VA	1 Battery Cabinet
8000 VA, 10000 VA, 12500 VA	2 Battery Cabinets
16700 VA	3 Battery Cabinets

### INPUT

- General: 120 or 277 60 Hz AC input +10-15%. Input Circuit Breaker.

### OUTPUT

- General: 120 or 277 60 Hz AC output. Load current change +2%. Battery discharge +12.5%. Power factor load ranges from .5 lag to .5 lead.

## ORDERING INFORMATION

MODEL	VA RATING	VOLTAGE INPUT	VOLTAGE OUTPUT	OPTION	DESCRIPTION
IS-F	1500	120	120	OBC	Output Circuit Breakers*
	2250	120	277	ERT	Extended Run Time
	3000	277	277	FMC	Summary Form "C" Contacts
	3750	277	120	IMB	Internal Maintenance Bypass
	4800	240	240	EMB	External Maintenance Bypass
	6000	240	120	BEX	Battery Exerciser
	8000	120	120/277	FSU	Factory Start-Up
	10000	277	120/277		
	12500				
	16700				

Ordering Example: IS-F-1500-120-120-OCB6-FSU

\*SPECIFY NUMBER OF CIRCUIT BREAKERS



**FAST TRANSFER/SINGLE PHASE 500 TO 2000 VA**

The Opti-Lite CM is a compact, modular emergency lighting inverter. Typical applications include all types of HID fixtures, quartz restrike, fluorescent, incandescent, and low voltage lighting. This series is well suited for outdoor emergency egress lighting, medium size offices, and warehouses. The modular design and low MTRR ensure easy maintenance and field upgradability.



**BENEFITS & FEATURES**

- PWM/MOSFET Inverter Technology for high efficiency and low THD
- UL 924 Listed and meets or exceeds the requirements of OSHA for emergency lighting and power. NFPA70, NFPA101, NFPA110, BC, and SBCCI and New York City approved
- 98% efficient in standby mode means no fan for cooling
- Compatible with HID, Fluorescent, Incandescent, and Electronic Low Voltage lighting
- Maintenance-free, sealed lead calcium valve regulated lead acid batteries
- Field upgradable from 500VA to 2000VA by additional battery modules
- Protection Circuit breakers are Battery, Input and Output
- Microprocessor controlled, 2x20 character display with touch pad controls front panel interface
- Programmable setpoints are password controlled with user and service levels
- Self-Testing and Diagnostics



**ACCESSORIES**

MODEL	DESCRIPTION
T-MODEM-01	Modem for RS232
T-WMB-01	Wall Mount Bracket*

\*ONLY NEEDED TO MOUNT INVERTER IN HORIZONTAL POSITION

**ORDERING INFORMATION**

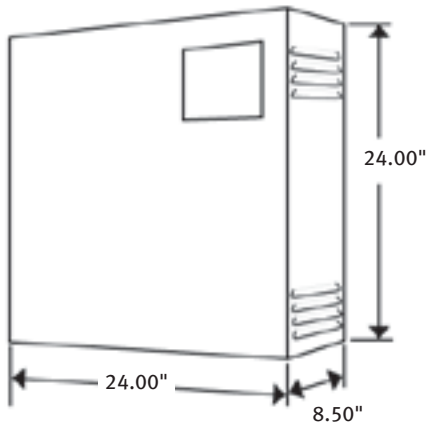
MODEL	SYSTEM VA	INPUT VOLTAGE	OUTPUT VOLTAGE	OPTIONS	DESCRIPTION
CM	500	120	120	CBA	Circuit Breaker Trip Alarm
	1000	277	277	R	RS232
	1500			SC	Summary Dry Contact
	2000			EXT	Extended Run Time
				RMP	Extended Meter Panel
				RSP	Remote Summary Alarm Panel
				NO	Normally Off

Ordering Example: CM-1000-277-277-CBA



## BENEFITS & FEATURES

- High wattage capacities
- Fused branch circuits (6)
- Lowers wiring costs
- Long-life lead calcium or nickel cadmium batteries
- Modular removable electronics
- Centralized maintenance & testing
- 12 Hour recharge
- Fully automatic solid state charger
- Rugged 18 gauge steel console with gray enamel finish
- Wall or floor mounting
- Voltmeter, ammeter, test switch and system indicator lights standard
- Capacities of 220-780 watts
- Higher DC voltages reduce wire size requirements & voltage drop



## LEAD CALCIUM OR NICKEL CADMIUM

Remotely located/supervised 12 & 24 volt systems with fused branch circuits. Ideally suited for locations where individual battery units would be inconvenient to service or test and where there are long wiring runs. Often used in security alarms and other applications requiring a reliable DC power source.



## OPTIONS

OPTION	DESCRIPTION
277	277VAC Input (120 VAC Standard)
CC	Cell Seal Caps
DP	Distribution Panels*
CB	Circuit Battery*

\*CONSULT FACTORY

## WATTS TO 87.5% OF RATED BATTERY VOLTAGE\*

MODEL	DC VOLTAGE	1.5 HOURS	2 HOURS	3 HOURS	4 HOURS	WEIGHT (LBS.)
<b>LONG LIFE CALCIUM</b>						
I2L2	12	220	147	122	86	90
I2L3	12	369	240	200	140	117
I2L3.5	12	430	287	239	167	12
24LAC3	24	380	253	211	148	122
24LAC5	24	760	507	423	296	168
<b>NICKEL CADMIUM</b>						
I2N3	12	180	120	200	70	76
I2N3.5	12	220	147	122	86	82
I2N4	12	280	187	156	109	93
I2N4.5	12	420	280	234	163	130
I2N5	12	600	400	334	233	165
I2N7	12	780	520	434	303	193

Ordering Example: I2L3-277

\*PER NATIONAL ELECTRIC CODE



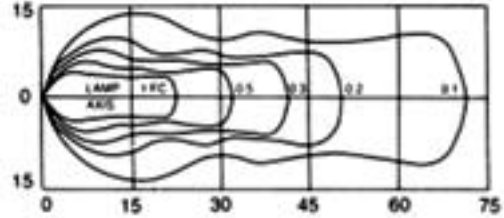
## LAMP HEAD PHOTOMETRICS

Distances are in Feet, Isocurves in Footcandles

Horizontal and Vertical Axis Distributions are Symmetrical

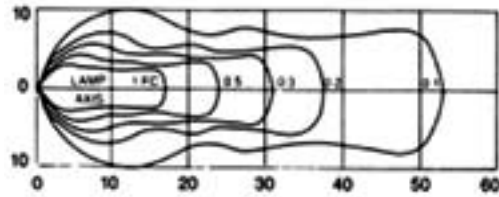
### DRAWING #1

LAMP #	VOLTS	WATTS
H7556	6	6



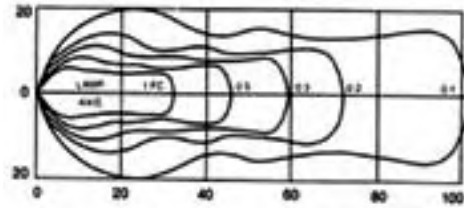
### DRAWING #2

LAMP #	VOLTS	WATTS
785	6	8
908	6	9
915	12	9



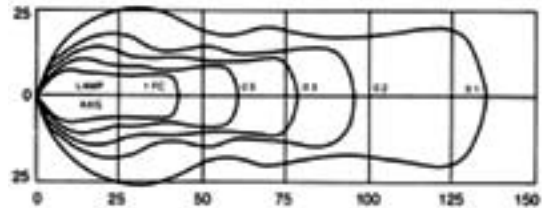
### DRAWING #3

LAMP #	VOLTS	WATTS
787	6	10
786	6	12
783	12	12
789	12	14



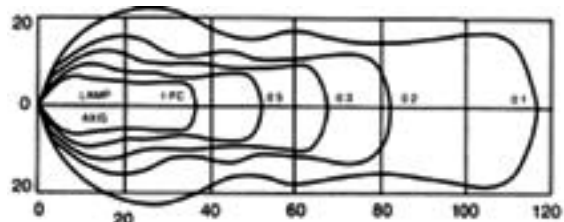
### DRAWING #4

LAMP #	VOLTS	WATTS
1079	12	22
1638	24	24



### DRAWING #5

LAMP #	VOLTS	WATTS
1130	6	18



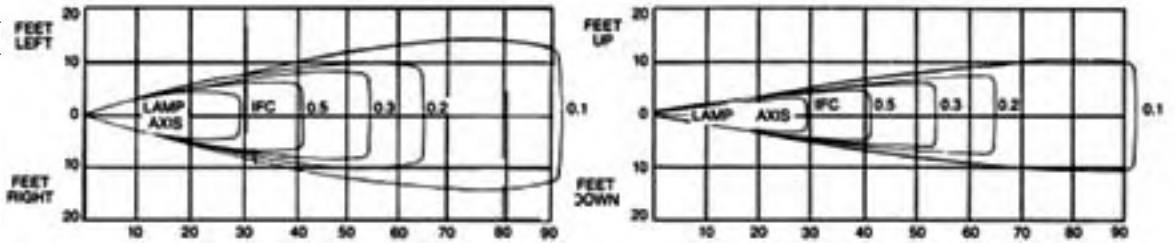
LAMP HEAD PHOTOMETRICS  
Use the Following Curves for PAR 36 Sealed Beam Lamps.

HORIZONTAL DISTRIBUTION  
FEET FROM LAMP (MEASURED ON AXIS)

VERTICAL DISTRIBUTION  
FEET FROM LAMP (MEASURED ON AXIS)

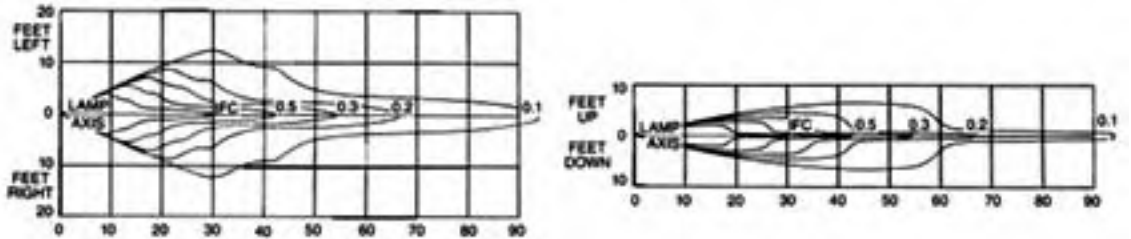
DRAWING #6

LAMP #	VOLTS	WATTS
H7553	6	12
H7557	12	12



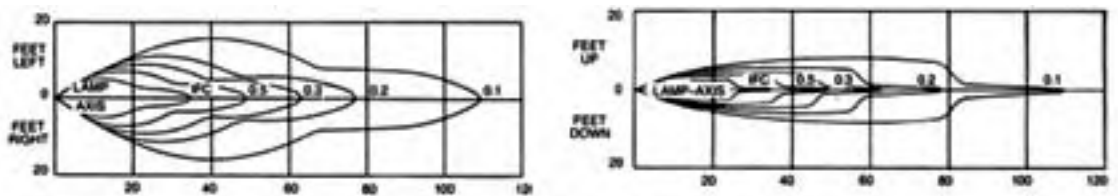
DRAWING #7

LAMP #	VOLTS	WATTS
4044	12	12



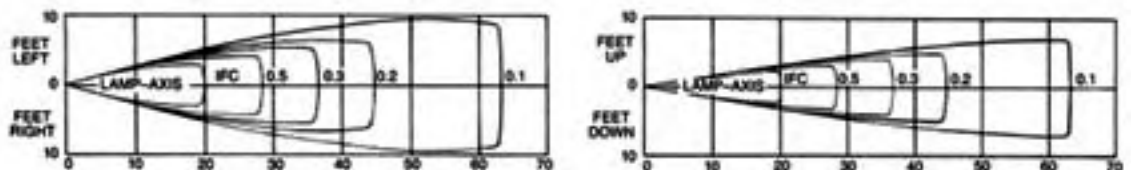
DRAWING #8

LAMP #	VOLTS	WATTS
4414	12	18
4014	6	18



DRAWING #9

LAMP #	VOLTS	WATTS
7613	6	8
7672	6	7.2



LAMP HEAD PHOTOMETRICS

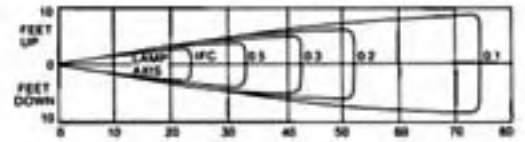
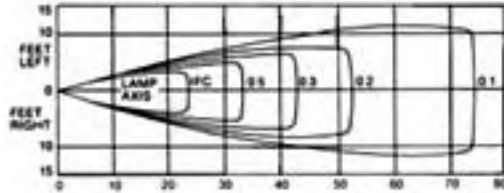
Use the Following Curves for PAR 36 Sealed Beam Lamps.

HORIZONTAL DISTRIBUTION  
FEET FROM LAMP (MEASURED ON AXIS)

VERTICAL DISTRIBUTION  
FEET FROM LAMP (MEASURED ON AXIS)

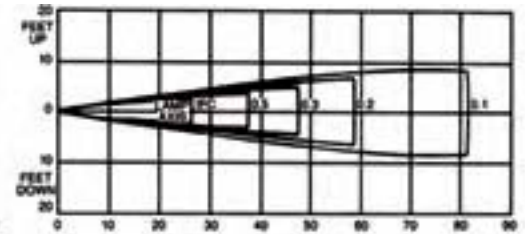
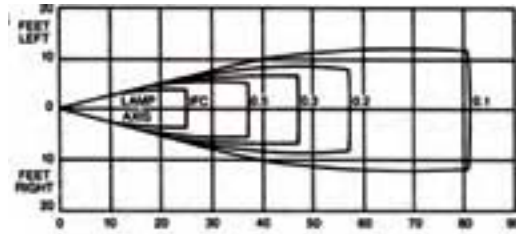
DRAWING #10

LAMP #	VOLTS	WATTS
H7551	6	8
H7555	12	8



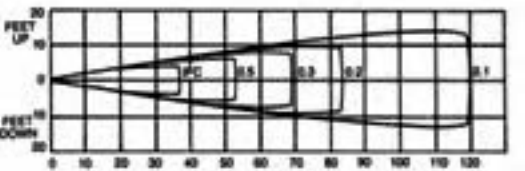
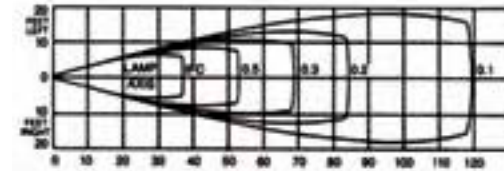
DRAWING #11

LAMP #	VOLTS	WATTS
h7552	6	10



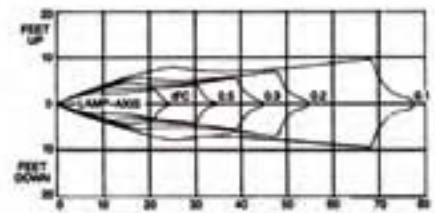
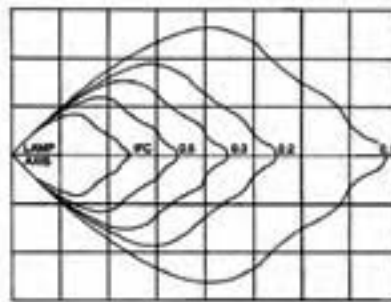
DRAWING #12

LAMP #	VOLTS	WATTS
H7554	6	20



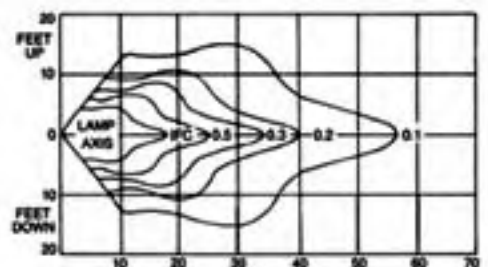
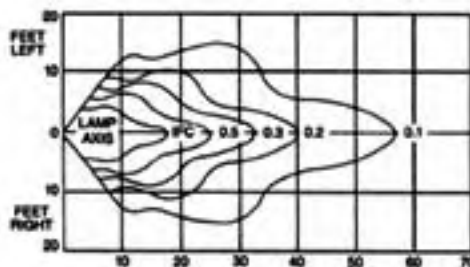
DRAWING #13

LAMP #	VOLTS	WATTS
4510	6	25



DRAWING #14

LAMP #	VOLTS	WATTS
4446	12	25



## REFERENCE TABLE FOR REPLACEMENT OF EMERGENCY LIGHTING LAMPS

MODEL#	VOLTS	WATTS	LUMENS	BEAM CP	ANSI CODE	LAMP PHOTOMETRIC	
						DRAWING #	LAMP TYPE
LP-1	6	3.7	38	300	909	-	Wedge Base
LP-2	6	6.0	75	330	929	-	Wedge Base
LP-3	6	7.2	101	360	927	-	Wedge Base
LP-4	6	9.0	151	400	908	2	Wedge Base
LP-5	6	6.0	113	400	784	-	Bi-Pin Halogen
LP-6	6	8.0	163	550	785	2	Bi-Pin Halogen
LP-7	6	10	201	650	787	3	Bi-Pin Halogen
LP-8	6	12	239	850	786	3	Bi-Pin Halogen
LP-9	6	20	402	1400	788	-	Bi-Pin Halogen
LP-10	6	7.2	101	350	7672	9	PAR 36 Sealed Beam
LP-11	6	8.0	132	400	7613	9	PAR 36 Sealed Beam
LP-12	6	18	243	1500	4014	8	PAR 36 Sealed Beam
LP-13	6	25	318	800	4510	13	PAR 36 Sealed Beam
LP-14	6	6.0	113	400	H7556	1	PAR 36 Halogen Sealed Beam
LP-15	6	8.0	115	550	H7551	10	PAR 36 Halogen Sealed Beam
LP-16	6	10	201	650	H7552	11	PAR 36 Halogen Sealed Beam
LP-17	6	12	302	850	H7553	6	PAR 36 Halogen Sealed Beam
LP-18	6	20	457	1400	H7554	12	PAR 36 Halogen Sealed Beam
LP-19	6	5.0	70	325	939	-	Wedge Base
LP-20	6	6.0	90	350	82	-	Double Contact Bayonet Base
LP-21	6	12	240	855	88	-	Double Contact Bayonet Base
LP-22	6	8.0	165	555	64	-	Double Contact Bayonet Base
LP-23	6	18	245	1505	1130	5	Double Contact Bayonet Base
LP-24	6	22	465	1410	1618	-	Double Contact Bayonet Base
LP-25	12	3.0	40	280	960	-	Wedge Base
LP-26	12	9.0	138	360	915	2	Wedge Base
LP-27	12	12.5	177	650	922	-	Wedge Base
LP-28	12	8.0	155	550	774	-	Bi-Pin Halogen
LP-29	12	12	277	850	783	3	Bi-Pin Halogen
LP-30	12	14	302	1050	789	3	Bi-Pin Halogen
LP-31	12	20	461	1400	782	-	Bi-Pin Halogen
LP-32	12	12	182	1100	4044	7	PAR 36 Sealed Beam
LP-33	12	18	245	1500	4414	8	PAR 36 Sealed Beam
LP-34	12	25	327	400	4446	14	PAR 36 Sealed Beam
LP-35	12	8.0	155	550	H7555	10	PAR 36 Halogen Sealed Beam
LP-36	12	12	277	850	H7557	6	PAR 36 Halogen Sealed Beam
LP-37	12	8.0	80	600	90	-	Double Contact Bayonet Base
LP-38	12	12	280	853	94	-	Double Contact Bayonet Base
LP-39	12	16	210	1440	1005	-	Double Contact Bayonet Base
LP-40	12	22	485	1500	1076	4	Double Contact Bayonet Base
LP-41	12	23	155	2100	1176	-	Double Contact Bayonet Base
LP-42	24	5.5	68	320	1252	-	Double Contact Bayonet Base
LP-43	24	7.0	998	355	305	-	Double Contact Bayonet Base
LP-44	24	9.0	132	400	624	-	Double Contact Bayonet Base
LP-45	24	12	201	1100	306	-	Double Contact Bayonet Base
LP-46	24	21	470	1450	1999	-	Double Contact Bayonet Base
LP-47	24	24	312	800	1638	4	Double Contact Bayonet Base
LP-48	24	4.0	55	310	464	-	Wedge Base
LP-49	24	20	295	750	13091	-	Bi-Pin Halogen



MODEL	SERIES NAME	PAGE	MODEL	SERIES NAME	PAGE
948016	QuickFit Series - White	16	LED-FX-X	LED Flex X Connector	8
948100	QuickFit Series - Red Hard Wired	16	LX	LX Series	45
948200	QuickFit Series - Red Universal	16	MD	Meridian Series	21
948402	QuickFit Series - Green	16	MF40	Embassy Series	57
12L	The Supervisor - Long Life Calcium	69	MFC	MFC Series	44
12N	The Supervisor - Nickel Cadmium	69	MR	MR Series	54
3FT	UPS 3 Phase	66	MR16	MR16 LED	10
A19	LED A19 Series	13	MR16D	MR16 Dimmable LED	10
BKEM-2A	Lite Way Series, BKEM-2A	36	MRB	MRB Series	54
BLB	Backlit LED Custom Signs	64	MRD	Radius Series	34
C	C Series	41	MXAGU	MX Series - AC Only, Green Letters	18
CC	Combo, Adjustable Heads	32	MXARU	MX Series - AC Only, Red Letters	18
CEL	Renaissance Series	22	MXBGU	MX Series - Battery Backup, Green Letters	18
CLED	LED Cove Series	15	MXBRU	MX Series - Battery Backup, Red Letters	18
CM	UPS Mini	68	N4X-AX	NEMA 4X Series - AC Only	24
CRL	CRL Series	55	N4X-BX	NEMA 4X Series - Battery Backup	24
CVT	Covert Series	40	N4X-EPX	NEMA 4X Series - Combination Unit	24
CX	Classic Series - AC Only	20	NM4	NEMA 4X Series - NM4	48
DV	Matrix Series	19	NYELX	New York Approved Precision	60
EB	Ever Brite Series	29	NY-EPX	New York Approved NYX - Combination Unit	58
EC	EC Series	43	NY-LX	New York Approved NY-LX	61
EGX	Ever Green Series	28	NYMD	New York Approved Meridian	59
ELX	Precision Series	23	NY-PSX	New York Approved NYX - Battery Backup	58
EM-80	Lite Way Series, EM-80	37	NY-SX	New York Approved NYX - AC Only	58
EPX	Combo, Steel	30	PCX	Classic Series	20
EXEM	Exterior Series	50	PRX	Robo Series - Battery Backup	26
FS	LED Festival	11	PSX	E-Star Series	27
FTL	LED FlameTip Series	13	R50	LED R50 Series	13
G12	LED Festival G12	11	R63	LED R63 Series	13
G45	LED G45 Series	13	REL	Recessed Series, Low Profile	38
GWP	GWP Series	52	RG-80	Recessed Series, Gimbal	39
H	H Series	52	RRG	RRG Series	55
HM	HM Series	53	RX	Robo Series - AC Only	26
IS-F	UPS Single Phase	67	S11	LED Festival S11	11
JC	NEMA 12 Series	49	SP	LED Spotlamp	10
KES	KES Series	46	SQ-120	Econo Lite Series	33
LDL	LEDelier Series	12	SQ-80	Econo Lite Series	33
LED	LEDalux Series	12	SQG XU	Combo, Square Heads	31
LED-CFX	LED Color Flex	8	SQHO	SQ High Output Series	35
LED-FX	LED Flex	8	SQRM	SQRM Series	53
LED-FX-5	LED Flex Mini Channel	8	SQR XU	Combo, Square Heads	31
LED-FX-CH6	LED Flex 6ft Channel	8	ST	Stylus Series	42
LED-FX-END	LED Flex End Cap	8	SX	Energy Star Series	27
LED-FX-HST	LED Flex Splice Kit	8	TCL	Direct View LED Custom Signs	62
LED-FX-L	LED Flex L Connector	8	UCL	Under Cabinet Lighting	14
LED-FX-MC	LED Flex Middle Connector	8	VRS	Vandal Resistant Shields	56
LED-FX-PS	LED Flex Power Supply	8	WG	Wire Guards	56
LED-FX-SFT	LED Soft Start	8	WLCX	Pinnacle Series - AC Only	25
LED-FX-T	LED Flex T Connector	8	WLEM	WLEM Series	47
			WLPCX	Pinnacle Series - Battery Backup	25

MODEL	SERIES NAME	PAGE	MODEL	SERIES NAME	PAGE
BLB	Backlit LED Custom Signs	64	MRB	MRB Series	54
C	C Series	41	MXA	MX Series - AC Only	18
CX	Classic Series - AC Only	20	MXB	MX Series - Battery Backup	18
PCX	Classic Series - Battery Backup	20	JC	NEMA 12 Series	49
CC	Combo, Adjustable Heads	32	NM4	NEMA 4X Series - NM4	48
SQGXU	Combo, Square Heads - Green Letters	31	N4X-BX	NEMA 4X Series - Battery Backup-N4X	24
SQRXU	Combo, Square Heads - Red Letters	31	N4X-AX	NEMA 4X Series - AC Only-N4X	24
EPX	Combo, Steel	30	N4X-EPX	NEMA 4X Series - Combo Unit-N4X	24
CVT	Covert Series	40	NYMD	New York Approved Meridian	59
CRL	CRL Series	55	NY-LX	New York Approved NY - LX	61
TCL	Direct View LED Custom Signs	62	NY-SX	New York Approved NYX - AC Only	58
EC	EC Series	43	NY-PSX	New York Approved NYX - Battery Backup	58
SQ-120	Econo Lite Series	33	NY-EPX	New York Approved NYX - Combo Unit	58
SQ-80	Econo Lite Series - Remote Capable	33	NYELX	New York Approved Precision	60
MF40	Embassy Series	57	WLCX	Pinnacle Series - AC Only	25
SX	E-Star Series - AC Only	27	WLPCX	Pinnacle Series - Battery Backup	25
PSX	E-Star Series - Battery Backup	27	ELX	Precision Series	23
EB	Ever Brite Series	29	948	QuickFit Series	16
EGX	Ever Green Series	28	MRD	Radius Series	34
EXEM	Exterior Series	50	RG-80	Recessed Series, Gimbal - RG-80	39
GWP	GWP Series	52	REL	Recessed Series, Low Profile - REL	38
H	H Series	52	CEL	Renaissance Series	22
HM	HM Series	53	RX	Robo Series - AC Only	26
KES	KES Series	46	RRX	Robo Series - Battery Backup	26
A19	LED A19 Series	13	RRG	RRG Series	55
LED-CFX	LED Color Flex	8	SD	Smartest Self-Diagnostics	17
CLED	LED Cove Series	15	SQHO	SQ High Output Series	35
FS	LED Festival Lamp	11	SQRM	SQRM Series	53
G12	LED Festival G12 Lamp	11	ST	Stylus Series	42
S11	LED Festival S11 Lamp	11	12L	The Supervisor - Long Life Calcium	69
FTL	LED FlameTip Series	13	12N	The Supervisor - Nickel Cadmium	69
LED-FX	LED Flex	8	UCL	Under Cabinet Lighting	14
G45	LED G45 Series	13	3FT	UPS Three Phase	66
R50	LED R50 Series	13	CM	UPS Mini	68
R63	LED R63 Series	13	IS-F	UPS Single Phase	67
SP	LED Spotlamp	10	VRS	Vandal Resistant Shields	56
LED	LEDalux Series	12	WG	Wire Guards	56
LDL	LEDelier Series	12	WLEM	WLEM Series	47
BKEM-2A	Lite Way Series, BKEM-2A	36			
EM-80	Lite Way Series, EM-80	37			
LX	LX Series	45			
DV	Matrix Series	19			
MD	Meridian Series	21			
MFC	MFC Series	44			
MR	MR Series	54			
MR16D	MR16 Dimmable LED Bulb	10			
MR16	MR16 LED Bulb	10			

Distributed /Represented By:



**Mule Lighting Inc.**  
46 Baker Street  
Providence, RI 02905

toll-free: 800-556-7690  
tel: 401-941-4446  
fax: 401-941-2929

[www.mulelighting.com](http://www.mulelighting.com)  
[info@mulelighting.com](mailto:info@mulelighting.com)

SC2X-0819